

DEFENDER 90 - 110 - 130

Td5 -Tdi- V8



Owner's Handbook

Instruktieboekje

Manuel du Conducteur

Betriebsanleitung

Manuale di Istruzioni

Manual del Conductor

Manual do Proprietário

Defender





DEFENDER 90·110·130

CONTENTS

<i>SECTION 1</i>	<i>Introduction</i>	<i>1</i>
<i>SECTION 2</i>	<i>Controls & instruments</i>	<i>7</i>
<i>SECTION 3</i>	<i>Driving & operating</i>	<i>45</i>
<i>SECTION 4</i>	<i>Owner maintenance</i>	<i>79</i>
<i>SECTION 5</i>	<i>Workshop maintenance</i>	<i>123</i>
<i>SECTION 6</i>	<i>General data</i>	<i>155</i>
<i>SECTION 7</i>	<i>Parts & accessories</i>	<i>169</i>
<i>SECTION 8</i>	<i>Off-road driving</i>	<i>173</i>
	<i>Index</i>	<i>185</i>
	<i>In-car entertainment</i>	
	<i>Forecourt data card</i>	



As part of the Land Rover environmental policy, this publication is printed on paper made from chlorine free pulp.

SECTION 1

Introduction

OWNER'S HANDBOOK

This handbook covers all current versions of Land Rover Defender petrol and diesel models and, together with the Service Portfolio book, provides all the information you need to derive maximum pleasure from owning and driving your new vehicle.

For convenience, the handbook is divided into sections, each dealing with a particular aspect of driving or caring for the vehicle. Sections are listed on the contents page; you will find it worthwhile to take a little time to read each one, and to get to know your Defender as soon as you possibly can. Remember, the more you understand before you drive, the greater the satisfaction when you are seated behind the steering wheel.

The specification of each vehicle will vary according to territorial requirements and also from model to model within the vehicle range. Some of the information published in this handbook, therefore, may not apply to your particular vehicle.

Section Contents	Page
Service portfolio	3
Warning labels	3
Vehicle identification number	4
Anti-theft precautions	4
Breakdown safety code	5

Land Rover operates a policy of constant product improvement and, therefore, reserves the right to change specifications without notice at any time. Whilst every effort is made to ensure complete accuracy of the information in this handbook, no liabilities for inaccuracies or the consequences thereof can be accepted by the manufacturer or the dealer, except in respect of personal injury caused by the negligence of the manufacturer or the dealer.

All rights reserved. No part of this publication may be reproduced, stored in a retrieval system or transmitted, in any form, electronic, mechanical, photocopying, recording, or other means without prior written permission from Rover Group Limited.

Introduction

SERVICE PORTFOLIO

The Service Portfolio book included in your literature pack contains important vehicle identification information and details of your entitlement under the terms of the Land Rover warranty.

Most important of all, however, is the section on maintenance. This outlines the servicing requirements for your vehicle and also includes the 1500 km (1,000 mile) Free Service Voucher, as well as incorporating the service record slips, which the dealer should sign and stamp to certify that routine services have been carried out at the recommended intervals.

WARNING

Safety warnings are included in this handbook. These indicate either a procedure which must be followed precisely, or information that should be considered with great care in order to avoid the possibility of personal injury or serious damage to the vehicle.

WARNING LABELS ATTACHED TO THE VEHICLE



Warning labels attached to your vehicle bearing this symbol mean: **DO NOT touch or adjust components until you have read the relevant instructions in the handbook.**



Warning labels showing this symbol indicate that the ignition system utilises very high voltages. **DO NOT touch any ignition components while the starter switch is turned on!**

WARNING

Your vehicle has a higher ground clearance and, therefore, a higher centre of gravity than ordinary passenger cars. This will result in different handling characteristics. Inexperienced drivers should take additional care, particularly in off-road driving situations and when performing abrupt manoeuvres on unstable surfaces.

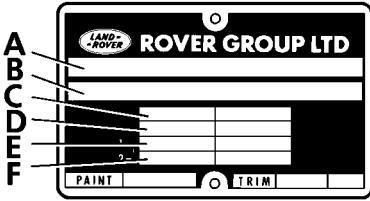
Introduction

VEHICLE IDENTIFICATION NUMBER (VIN)

If you need to communicate with a Land Rover dealer, you may be asked to quote the Vehicle Identification Number (VIN).

The VIN and recommended maximum vehicle weights (dependent on market) is stamped on a plate riveted to the top of the brake pedal box in the engine compartment (this should also match the VIN recorded in the Service Portfolio book). The VIN is also stamped on the right-hand side of the chassis, forward of the spring mounting turret.

In addition, as a deterrent to car thieves and to assist the police, the VIN is also stamped on a plate visible through the left side of the windscreen.



D001

- A. Type approval
- B. Vehicle Identification Number (VIN)
- C. Gross vehicle weight (where required)
- D. Gross train weight (where required)
- E. Maximum front axle load (where required)
- F. Maximum rear axle load (where required)

NOTE: In the interests of safety, it is essential that the gross vehicle weight, gross train weight and axle loads are NOT exceeded. For further information see 'General data'.

ANTI-THEFT PRECAUTIONS

While it may be difficult to deter the 'professional' car thief, the majority of thefts are carried out by unskilled opportunists. Therefore, take vehicle security very seriously and ALWAYS adopt this simple 'five point' drill whenever you leave your vehicle - even for just a few minutes:

- Fully close all the windows (and the sunroof).
- Remove your valuable belongings (or hide them out of sight).
- Remove the starter key.
- Engage the steering lock (by slightly turning the wheel until it locks).
- Lock all the doors.

Thieves are attracted to 'vulnerable' vehicles. Even if you have followed the 'five point' drill, there is still much you can do to make your vehicle a less inviting target.

BE SAFE NOT SORRY!

- Park where your vehicle can easily be seen by householders and passers-by.
- At night, park in well lit areas and avoid deserted or dimly lit side streets.
- At home, if you have a garage, use it - and NEVER leave the keys in the vehicle.
- Do not keep important vehicle documents (or spare keys) in the vehicle - these are a real bonus for the thief.

IMPORTANT INFORMATION

Remember the breakdown safety code

If a breakdown occurs while travelling:-

- Wherever possible, consistent with road safety and traffic conditions, the vehicle should be moved off the main thoroughfare, preferably into a lay-by. If a breakdown occurs on a motorway, pull well over to the inside of the hard shoulder.
- Switch on hazard lights.
- If possible, position a warning triangle or a flashing amber light at an appropriate distance from the vehicle to warn other traffic of the breakdown (note the legal requirements of some countries).
- Consider evacuating passengers through nearside doors onto the verge as a precaution in case your Defender is struck by another vehicle.

SECTION 2

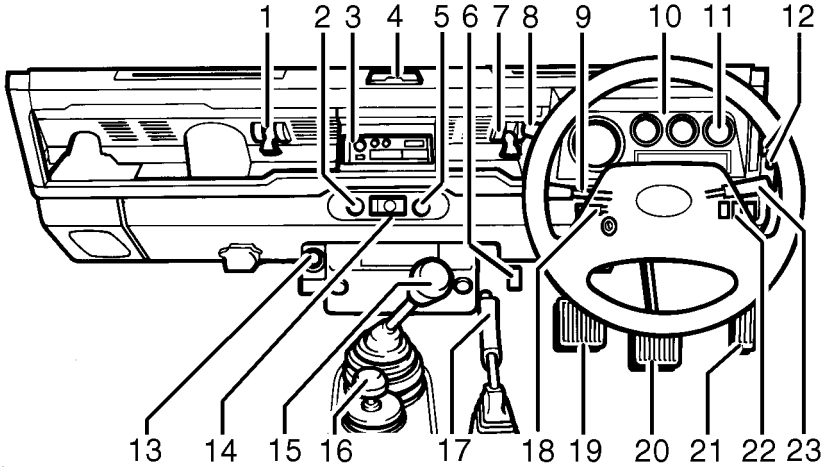
Controls & instruments

In this section of the handbook you will find descriptions of the controls and instruments on your vehicle.

For your own safety, it is most important to read this section fully and to gain a thorough understanding of all the controls before driving.

Section Contents	Page
Controls	9
Locks & alarm	11
Seats	21
Seat belts	24
Instruments	28
Warning lights	29
Lights & indicators	32
Wipers & washers	34
Switches	36
Windows	37
Sunroof	38
Heating & ventilation	39
Air conditioning	42
Interior equipment	44

Controls



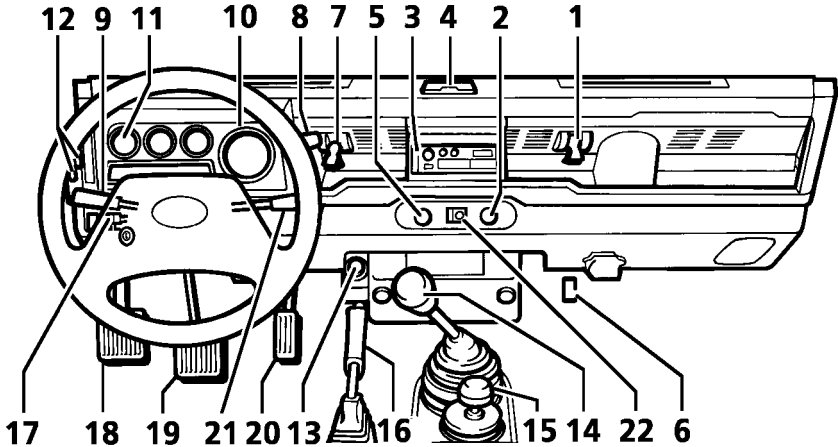
D002C

Right hand steering

- | | |
|--|---|
| 1. Ventilator control | 13. Hand throttle - if fitted |
| 2. Rear screen wash/wipe switch | 14. Headlight adjuster |
| 3. Radio/cassette player | 15. Main gear lever |
| 4. Ashtray | 16. Transfer gear lever |
| 5. Cigar lighter | 17. Handbrake |
| 6. Bonnet release handle | 18. Main lighting switch |
| 7. Ventilator control | 19. Clutch pedal |
| 8. Heater fan control | 20. Brake pedal |
| 9. Lighting, direction indicators and horn control | 21. Accelerator pedal |
| 10. Instrument and warning light pack | 22. Rear fog guard lights, heated rear window and hazard warning light switches |
| 11. Clock | 23. Windscreen wash/wipe control |
| 12. Heater controls | |

NOTE: The precise specification and location of controls may vary according to territorial requirements and from model to model within the vehicle ranges.

Controls



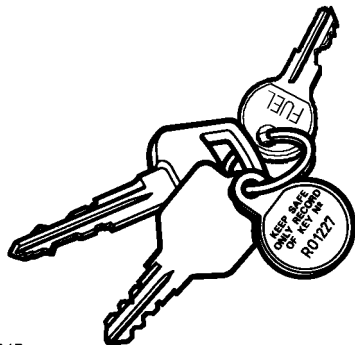
D003B

Left hand steering

- | | |
|--|------------------------------------|
| 1. Ventilator control | 12. Heater controls |
| 2. Rear screen wash/wipe switch | 13. Hand throttle - if fitted |
| 3. Radio/cassette player | 14. Main gear lever |
| 4. Ashtray | 15. Transfer gear lever |
| 5. Cigar lighter | 16. Handbrake |
| 6. Bonnet release handle | 17. Main lighting switch |
| 7. Ventilator control | 18. Clutch pedal |
| 8. Heater fan control | 19. Brake pedal |
| 9. Lighting, direction indicators and horn control | 20. Accelerator pedal |
| 10. Instrument and warning light pack | 21. Windscreen wash/wipe control |
| 11. Clock | 22. Headlight adjuster - if fitted |

NOTE: The precise specification and location of controls may vary according to territorial requirements and from model to model within the vehicle ranges.

Locks & Alarm



D004B

KEYS

You have been supplied with two sets of keys, comprising:

- a black key for operating the starter switch.
- a plain, metal, key for operating the door locks.
- A smaller metal key (marked 'FUEL') to operate the fuel filler cap lock.

Key numbers

The starter key number is stamped on a tag attached to the key ring. Both key numbers should be entered on the Security Information card.

WARNING

For safety, remove the Security Information card from the literature pack and keep it with the key tag, and spare keys in a safe place - AWAY FROM THE VEHICLE!

Front door locks

From outside the vehicle, the door locks can ONLY be operated with the key. Turn the key towards the rear to lock and towards the front to unlock.

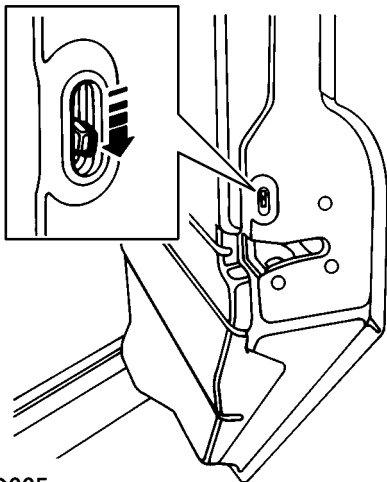
Door sill locking buttons

From inside the vehicle, each door can be individually locked by depressing the appropriate sill locking button.

WARNING

DO NOT depress the sill buttons as a means of locking the doors from outside the vehicle (this practice - known as 'slam locking' - is NOT recommended, because keys can be locked inside accidentally).

Locks & Alarm

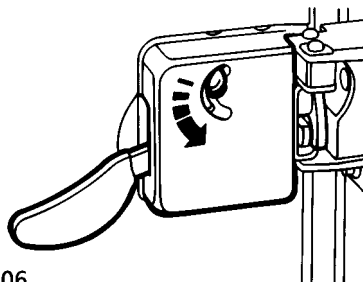


D005

Child-proof locks (110 Station wagon)

Move the locking levers down to engage the child-proof locks (see illustration).

With the locks engaged, the rear doors cannot be opened from inside the vehicle, thereby reducing the risk of a door being opened accidentally while the vehicle is moving.



D006

Taildoor (if fitted)

From outside, use the door key to lock and unlock the taildoor. From inside and with the door closed, push the locking button up to lock and down to unlock (as illustration).

ALARM SYSTEM

(if fitted)

Your vehicle is fitted with a sophisticated anti-theft alarm and engine immobilisation system. In order to combine maximum vehicle security with minimum inconvenience, you are advised to gain a full understanding of the alarm system by thoroughly reading this section of the handbook.

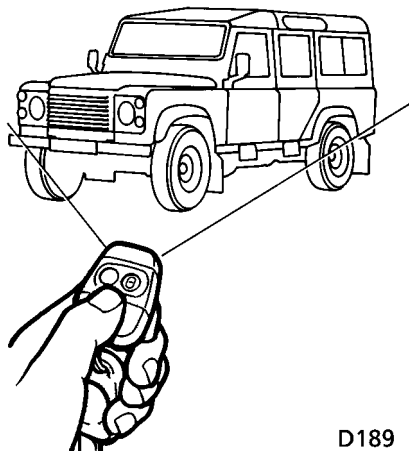
Features of the alarm system

Perimeter protection: This part of the alarm system protects the doors, bonnet and taildoor against unauthorised entry - the alarm sounding if any one of these apertures is opened without the alarm first being disarmed.

Interior protection: Also known as volumetric protection, this part of the system protects the space inside the vehicle. If movement within the passenger compartment, or intrusions through the windows or sunroof are detected, the alarm will sound.

Engine immobilisation: The engine is immobilised electronically whenever the alarm system is armed. Even if the alarm has not been armed, engine immobilisation will occur automatically thirty seconds after the driver's door is opened, or five minutes after the starter switch is turned to position '0'.

In practice, this means it is virtually impossible to leave your Defender unattended without the engine being immobilised.



D189

ARMING THE ALARM

WARNING

If a passenger or animal is to be left inside the vehicle, or if a window or sunroof is to be left open, interior protection must be disabled. Refer to 'Interior protection' before arming the alarm.

To arm the alarm, aim the handset at the Defender and press the right hand button (PADLOCK SYMBOL). Provided all the doors and other apertures are closed, the direction indicator lights will flash three times to confirm that the alarm is armed. All the security features described previously will be active.

Once armed, the alarm will sound if a door or the bonnet is opened, or if movement is detected inside the vehicle.

Locks & Alarm

Disarming the alarm

Within range of the vehicle, briefly press the left (PLAIN) button on the handset; the direction indicator lights will flash once to indicate that the alarm has been disarmed and the engine re-mobilised.

NOTE: In some territories, the interior lights will illuminate when the alarm is disarmed.

If the direction indicators fail to flash when the alarm is armed:

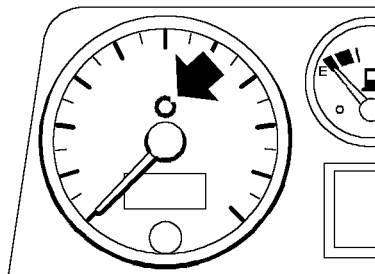
This indicates that a door or the bonnet is not fully closed, in which case the alarm will still be partially armed and the engine immobilised, but interior protection will not be active.

Once the open door or bonnet is closed, the direction indicators will flash three times and the alarm will fully arm as described previously.

If the alarm sounds:

The vehicle horn and alarm siren will sound continuously for 30 seconds and then switch off. The horn and siren can be triggered up to three times.

To silence the alarm, press either handset button. If the handset is inoperative, the alarm can only be disarmed by entering the emergency key access code (see 'Engine immobilisation override').



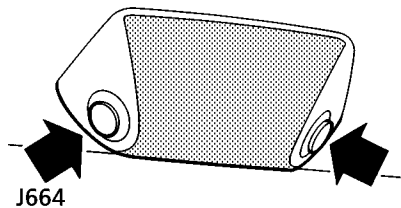
D267

Anti-theft alarm indicator light

A RED indicator light on the instrument panel indicates the status of the alarm system. When the alarm is armed successfully, the light FLASHES rapidly. After 10 seconds, the light adjusts to a slower frequency, and continues flashing as an anti-theft deterrent until the alarm is disarmed.

If the light fails to illuminate during the rapid flash phase, this indicates a 'mislock' (door or bonnet not fully closed or key in starter switch). If this occurs, the indicator light will still flash at the slower frequency as an anti-theft deterrent.

If the light illuminates continuously, this indicates that the engine has immobilised passively (see 'Engine immobilisation').



Interior protection

Interior protection is activated automatically when the alarm system is armed; twin sensors inside the vehicle monitor the interior space and will activate the alarm if an intrusion is detected.

However, if passengers or animals are to be left inside the vehicle, or if a window or sunroof is to be left open, the alarm must be armed with interior protection **DISABLED** as follows:

To disable interior protection:

1. Open the driver's door.
2. With the driver's door open, use the handset to arm the alarm in the normal way.
3. Close the driver's door (the direction indicator lights flash three times and the anti-theft indicator light commences flashing rapidly). The alarm system is now armed with interior protection disabled.

WARNING

If the vehicle is to be left with windows or sunroof open, or with passengers or animals inside, the interior protection MUST BE DISABLED, as described above.

NOTE: Interior protection will not operate for the first 15 seconds after the alarm is set.

ENGINE IMMOBILISATION

Engine immobilisation is an important aspect of the vehicle's security system, and occurs automatically whenever the alarm system is armed.

The system also includes a feature known as 'passive immobilisation', which is designed to safeguard the vehicle from theft should the driver forget to lock the doors or arm the alarm.

Passive immobilisation occurs automatically:

- thirty seconds after the starter switch has been turned off **AND** the driver's door opened.
- five minutes after the starter switch is turned off or the alarm system is disarmed.

IMPORTANT INFORMATION

The engine immobilisation system relies on the handset to re-mobilise the engine. Look after the handsets at all times, protecting them from loss, damage and battery discharge.

If the engine has immobilised passively, re-mobilisation will occur when the starter switch is turned to position 'II', provided the handset is on the same ring as the key and in close proximity to the switch.

- **ALWAYS** keep the handset on the same ring as the key.
- **NEVER** attach both handsets to the **SAME** key ring.

Any attempt to start the engine while it is immobilised will cause the engine immobilisation warning light (on the left of the warning light panel) to flash.

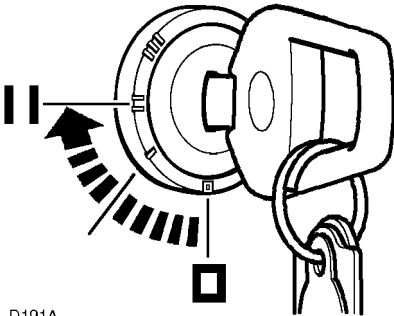
Locks & Alarm

Engine immobilisation override

If the handset is lost or fails to operate, engine immobilisation can be overridden by using the starter key to enter the four digit emergency key access code (this code is recorded on the Security Information card). The procedure for entering the code is described below.

Before entering the code, note the following:

If your handset is lost or inoperative, it is impossible to disarm the alarm. As soon as the door is opened, the alarm will sound (continuously for up to three 30 second periods), and continue while the code is being entered. Remove the handset from the key ring and keep the handset well away from the starter switch when entering the code.



D191A

1. With the driver's door closed, insert the key into the starter switch, turn to position 'II' and hold in this position for 5 seconds. Then switch off, and open and close the driver's door.

2. Turn the switch to position 'II' the required number of times to enter the first digit of the code (if the first digit is 4, turn the key to position 'II' and then back to '0' four times).

3. Open the driver's door (to enter the first digit) and then close the door again.

4. Turn the starter switch to position 'II' and back to '0' the required number of times to enter the SECOND digit of the code.

5. Open the driver's door (to enter the second digit) and then close the door again.

6. Turn the starter switch to position 'II' and back to '0' the required number of times to enter the THIRD digit of the code.

7. Open the driver's door (to enter the third digit) and then close the door again.

8. Turn the starter switch to position 'II' and back to '0' the required number of times to enter the FOURTH digit of the code.

9. Finally, OPEN and CLOSE the driver's door. If the code has been entered correctly, the anti-theft indicator light will extinguish and the engine can be started.

Locks & Alarm

If an incorrect code has been entered:

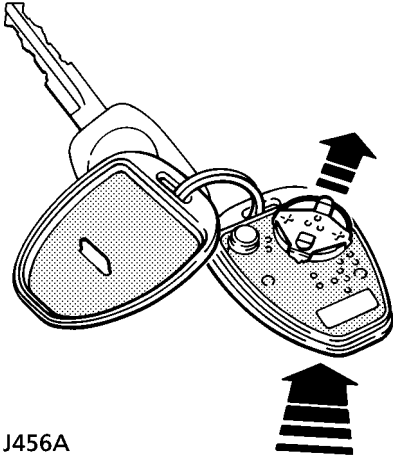
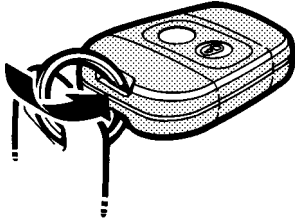
If the code is entered incorrectly, the anti-theft indicator light will continue to illuminate and the engine will fail to start. Before entering the code again, turn the starter switch to position 'II' and hold in this position for 5 seconds.

After three failed attempts, the security system invokes a delay period of thirty minutes during which the system will not accept any further codes.

WARNING

- *NEVER leave the Security Information card in the vehicle.*
 - *Memorize the emergency key access code or keep the Security Information card on your person in case of emergencies.*
-

Locks & Alarm



J456A

HANDSET BATTERY

IMPORTANT INFORMATION

- BEFORE replacing a handset battery, disarm the alarm and unlock the doors.
- DO NOT remove an expired battery until you are ready to install the replacement.
- The engine will immobilise five minutes after the key is removed from the starter switch. If handset battery replacement is NOT completed within this period, the emergency key access code will have to be entered before the handset can be synchronised.

The handset battery should last for approximately three years dependent upon use. When the battery needs replacing it will be apparent from the following symptoms:

- The handset will only work every other operation while disarming.
- The direction indicator lights will not flash when the alarm is disarmed.

Locks & Alarm

Always fit a Land Rover STC4080 or a Panasonic CR2032 replacement battery (available from a Land Rover dealer) and adopt the following replacement procedure:

- 1) Unlock the vehicle and disarm the alarm system.
- 2) Turn the starter switch to position 'II', then turn to position '0' and remove the key.
- 3) Carefully prise the handset apart, start from the keyring end using a coin or small screwdriver. Avoid damaging the seal between the two halves of the case and DO NOT allow dirt or moisture to get inside the handset.
- 4) Slide the battery out of its clip, taking care to avoid touching the circuit board or the contact surfaces of the clip.
- 5) Press and hold one of the buttons for at least five seconds (this will drain any residual power from the handset).

6) Fit the new battery, ensuring that correct polarity is maintained (positive ('+') side facing up). Finger marks will adversely affect battery life; if possible, avoid touching the flat surfaces of the battery and wipe them clean before fitting.

7) Reassemble the two halves of the handset, then operate the PADLOCK symbol button at least four times within range of the vehicle to resynchronise the handset.

The handset is now ready for use.

WARNING

The handset contains delicate electronic circuits and must be protected from impact and water damage, high temperatures and humidity, direct sunlight and the effects of solvents, waxes and abrasive cleaners.

Locks & Alarm

IMPORTANT INFORMATION

Battery disconnection

Your vehicle is equipped with a battery backed-up sounder, which operates as an anti-theft siren if the vehicle battery is disconnected.

Before disconnecting the vehicle battery, it is ESSENTIAL to refer to '*Battery removal and replacement*' in Section 4, in order to prevent the alarm from sounding.

If the vehicle battery is disconnected for any reason, the status of the security system prior to disconnection will be memorized and automatically reset when the battery is reconnected.

ALARM OR HANDSET DIFFICULTIES

Alarm goes off unexpectedly.

- (a) Ensure all windows and sunroof are closed.
- (b) Disable interior space protection.

Alarm goes off when door opened.

Disarm the alarm with the handset before unlocking. If the handset has failed, enter the emergency key access code (refer to '*Engine immobilisation override*').

Starter will not operate.

Ensure handset is on same ring as starter key. If it still will not operate, consult a Land Rover dealer.

Direction indicator lights don't flash when alarm is armed.

A door or bonnet is partially open.

FRONT SEAT ADJUSTMENT

WARNING

To avoid the risk of loss of control and personal injury, never adjust the driver's seat or seatback while the vehicle is in motion.

Forward/backward movement

Lift the bar at the front of the seat base to slide the seat forward or back. Ensure the seat is locked in position before driving.

Backrest movement

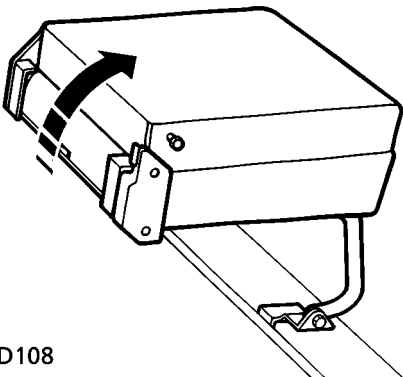
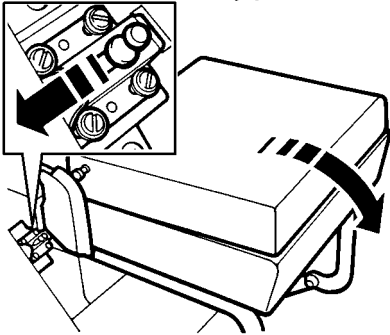
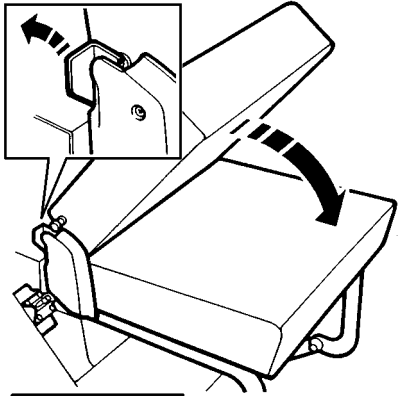
Lift the lever and lean backwards or forwards to achieve the desired angle, then lower the lever to lock.

WARNING

DO NOT allow front seat occupants to travel with the seat backs reclined steeply rearwards. Optimum benefit is obtained from the seat belt with the seat back angle set to 25 degrees from the upright (vertical) position.



D008



D108

FOLDING THE REAR SEATS - (if fitted)

Before folding the rear seats;

- Slide the front seats forward.
- Ensure that the outer rear seat belts are correctly stowed in their belt clips.
- Pass the seat belt locks through the junction of the backrest and the cushion and into the loadspace.

Individually split rear seats

NOTE: The two outer seats must be folded first, thereby releasing the centre seat.

Outer seats;

1. Release the catch (see first inset).
2. Fold the backrest forward.
3. Slide back the bolt (see second inset).
4. Lift and fold the seat base forwards.

Centre seat;

5. Release the catch - as (1).
6. Fold the backrest forward.
7. Lift and fold the seat base forwards.

When returning the backrest to the upright position, ensure it is securely latched in place before driving.

WARNING

DO NOT adjust the seats while the vehicle is in motion.

When the seat is erected, the latching mechanism should be visually checked and physically tested to ensure that the latch is secure before driving.

60/40 split rear seats

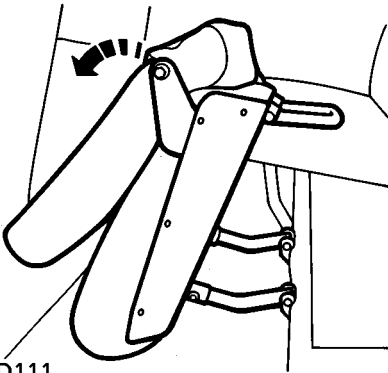
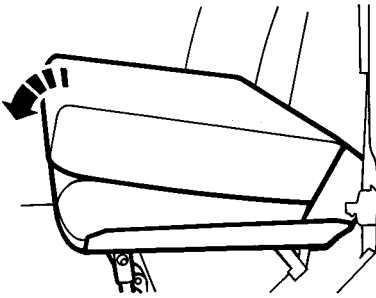
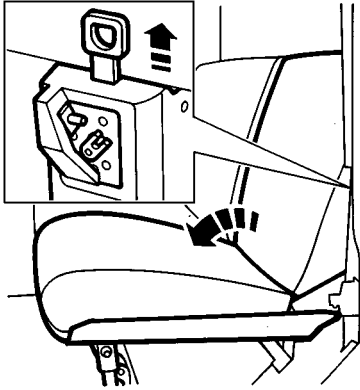
1. Pull up the release catch.
2. Fold the backrest forward.
3. Lift and fold the seat base forward.
4. Fold away the seat stand.

WARNING

DO NOT adjust the seats while the vehicle is in motion.

When re-erecting the seats, ensure that the seat stands are properly positioned.

When the seat is erected, the latching mechanism should be visually checked and physically tested to ensure that the latch is secure before driving.



D111

Seat belts

SEAT BELT SAFETY

Seat belts are life saving equipment.

In a collision, unrestrained passengers can be thrown around inside the vehicle, or possibly thrown out of the vehicle, resulting in injury to themselves and to other occupants. DO NOT take chances with safety!

- DO make sure ALL passengers are securely strapped in at all times - even for the shortest journeys.
- ALWAYS adjust seat belts to eliminate any slack in the webbing, and to ensure that the diagonal belt passes across the shoulder without slipping off or pressing on the neck.
- ALWAYS fit the lap strap as low on the hips as possible (never across the abdomen).
- DO have seat belts checked if the vehicle has been involved in an accident.
- DO NOT allow front seat occupants to travel with the seat backs reclined steeply rearwards. Optimum benefit is obtained from the seat belt with the seat back angle set to 25 degrees from the upright (vertical) position.

- DO NOT fit more than one person into a belt, or fit a seat belt that is twisted or obstructed in any way that could impede its smooth operation.
- DO NOT allow foreign matter (particularly sugary food and drink particles) to enter the seat belt locks - such substances can render the locks inoperative.

WARNING

Pregnant women should ask a doctor for advice about the safest way to wear seat belts.

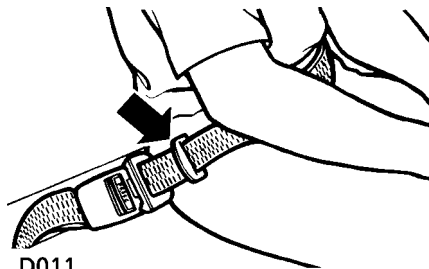
Seat belts



D010

WARNING

At all times, occupants should wear a seat belt for their protection in the event of a collision or sudden stop. In some circumstances, perhaps due to the vehicle being on a slope, the automatic locking mechanism may engage, preventing the initial extension of the belt. This is not a fault - ease the belt free and use it.



D011

Lap belts

To adjust, pull the slider along the belt and feed the webbing through the buckle until the belt is comfortably tight. When not in use, the lap belts should be fastened.

Fastening the inertia reel belts

Draw the belt over the shoulder and across the chest, and insert the metal tongue plate into the lock nearest the wearer - a 'click' indicates that the belt is securely locked.

Seat belts are designed to bear upon the bony structure of the body (pelvis, chest and shoulders) and can only be worn safely with the webbing crossing the shoulder MIDWAY BETWEEN THE NECK AND THE EDGE OF THE SHOULDER and with the seats in a normal UPRIGHT position - DO NOT allow the front passenger to travel with the seat steeply reclined.

Seat belts

Infant and child restraints

All infant and child restraint systems are designed to be secured in vehicle seats by means of a lap belt or the lap portion of a lap/shoulder belt.

When installing and using any infant or child restraint system, always follow the instructions provided by the manufacturer concerning installation and use. Failure to properly secure the child restraint system in the vehicle can endanger the child in a collision or sudden stop and cause injury to other passengers.

Centre and inward facing seats are fitted with lap belts which can be manually tightened to secure an infant or child restraint system. Older children should use the lap/shoulder belt fitted to the outer rear seating positions.

Never leave a child unattended in your vehicle.

WARNING

Infants and children too small for seat belts should be restrained in a child safety seat or restraint system, appropriate to their age and/or size, and which is approved for use in your vehicle. Always ensure that the manufacturer's fitting instructions are followed exactly.

- *DO NOT allow a baby or infant to be carried on the lap. The force of a crash can increase the effective body weight by as much as 30 times, making it impossible to hold on to the child.*
 - *DO NOT use a child seat that 'hooks' over a seatback, it is not secure!*
 - *Accident statistics show that children are safer when properly restrained in the rear seating positions than in the front. However, if a forward facing child seat suitable for the size of child is available and it is necessary for a child to travel in the front, set the seat fully rearwards and use an approved FORWARD FACING child seat - DO NOT INSTALL REARWARD FACING CHILD SEATS IN ANY FRONT PASSENGER SEAT POSITION.*
-

Seat belts

Caring for seat belts

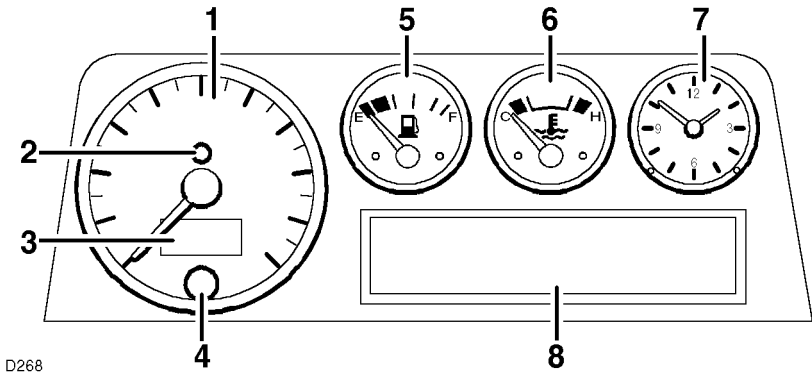
Regularly inspect the belt webbing for signs of wear, paying particular attention to the fixing points and adjusters. Always replace a seat belt that has withstood the strain of an impact or shows signs of fraying.

DO NOT bleach or dye the webbing. Clean the webbing using warm water and non-detergent soap only - allow to dry naturally and DO NOT retract the belt until completely dry.

Testing inertia reel belts

From time to time carry out the following tests:

- 1.** With the seat belt fastened, give the webbing near the buckle a quick upward pull. The buckle must remain securely locked.
- 2.** With the seat belt unfastened, unreel the webbing to the limit of its travel. Check that unreeling is free from snatches and snags.
- 3.** With the webbing half unreeled, hold the tongue plate and give it a quick forward pull. The safety mechanism must lock automatically and prevent any further unreeling.



D268

1. Speedometer

Indicates road speed in miles and/or kilometres per hour.

2. Anti-theft alarm indicator light

Indicates the status of the alarm system (see 'Locks & alarm').

3. Total distance and trip recorder

Indicates the total distance or the individual journey distance travelled by the vehicle.

4. Total distance and trip recorder mode/reset button

Press and release the mode button to change the digital display between either the total distance the vehicle has travelled, or the individual journey distance. Press and hold the button to reset the trip recorder to zero.

5. Fuel gauge

The pointer indicates the fuel level when the starter switch is turned to position 'II'.

6. Temperature gauge

Once the engine coolant has reached its normal operating temperature, the pointer should remain between the 'C' (cold) and 'H' (hot) segments. If the pointer enters the 'H' segment, stop the vehicle as soon as safety permits and seek qualified assistance before continuing.

7. Clock

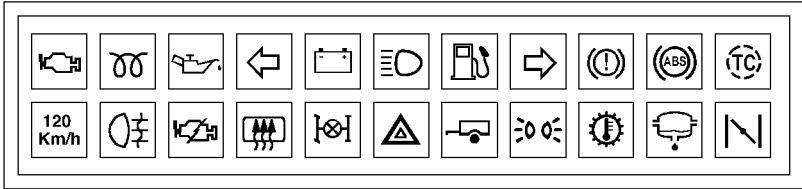
To adjust the time, use a ball point pen or similar probe to advance or put back the time, using the right or left hand buttons at the bottom of the clock bezel.

NOTE: The clock will need to be reset if the battery has been disconnected.

8. Warning lights

The specification of the warning lights will vary according to model and market requirements (see 'Warning lights').

Warning lights



D269

The warning lights are colour coded as follows:

RED lights are warnings.

WARNING

DO NOT drive if a RED warning light remains on once the engine is running or illuminates whilst driving.

GREEN & BLUE lights indicate that a unit is operating.

AMBER lights show that a unit is operating and should be switched off (or rectified) as soon as conditions allow.



Low engine oil pressure - RED

Illuminates as a bulb check when the starter switch is turned to position 'II' and extinguishes when the engine is running. If it remains on, or illuminates whilst driving, STOP THE VEHICLE as soon as safety permits and seek qualified assistance before continuing. Always check oil levels when this light illuminates.

NOTE: At very low ambient temperatures, the light may take several seconds to extinguish.



Battery charging - RED

Illuminates as a bulb check when the starter switch is turned to position 'II' and extinguishes when the engine is running. If it remains on, or illuminates whilst driving, a fault is indicated. Seek qualified assistance urgently.



Handbrake & brake system- RED

The light illuminates when the handbrake is applied and extinguishes when it is fully released. If the light illuminates while the handbrake is released, a fault with the braking system is indicated, check the brake fluid level (see *Maintenance*). If the light continues to illuminate, seek qualified assistance urgently.



Direction indicators - GREEN

Flashes in conjunction with the direction indicators. If the light does not illuminate, this may indicate a bulb failure in the warning light pack or in one of the direction indicator lights.



Headlight main beam - BLUE

Illuminates whenever the main beam headlights are on.

Warning lights



Hazard warning lights - RED

Illuminates in conjunction with the direction indicator warning

lights, when the hazard warning lights are operated.



Differential lock - AMBER

Illuminates whenever the differential lock is engaged.

If the light remains on after the differential lock is disengaged, transmission 'wind up' may be present. Reversing for a short distance and then going forward will usually 'unwind' the transmission. If the light remains on, contact your dealer as soon as possible.



Heated rear screen - AMBER

Illuminates when the rear screen heater is operating.



Engine immobilisation - RED

Flashes during any attempt to start the engine when the

engine is immobilised.



Trailer direction indicators - GREEN

Flashes in conjunction with the vehicle direction indicator lights to show that all trailer indicator lights are functioning correctly. In the event of a bulb failure on the trailer, the warning light flashes once and then remains off.

NOTE: When a trailer is not fitted, the warning light will only flash once.



Sidelights - GREEN

Illuminates whenever the sidelights are on.



Rear fog guard lights - AMBER

Illuminates whenever the rear fog guard lights are on.

REMEMBER: In clear conditions, rear fog guard lights can dazzle other road users. Use **ONLY** when visibility is severely restricted.



Glow plugs - AMBER

(diesels only)

Illuminates whenever the

starter switch is turned to position 'II' if the engine is cold. **WAIT** for the light to extinguish before starting the engine.



Anti-lock braking system -

AMBER (if fitted)

Illuminates for approximately 1

second as a bulb and system check when the starter switch is turned to position 'II', and briefly extinguishes before coming on again. If the light does not extinguish and then come on again, then a fault occurred with the ABS system and you should consult a qualified dealer at the earliest opportunity. The warning light will remain on until the vehicle is driven above approximately 5 mph (7 km/h).

If the light remains on or subsequently illuminates while driving, a fault has been detected by the self monitoring system. This means that full ABS control may not be available and you should consult your dealer at the earliest opportunity.

Warning lights



Traction control - AMBER (if fitted)

Illuminates as a bulb and system check, when the starter switch is turned to position 'II' and extinguishes after approximately 4 seconds. The light illuminates for a minimum of 2 seconds, whenever traction control is operating.

If the warning light flashes (for at least 10 seconds); this indicates that the traction control has been operating for too long and has temporarily shut down to allow the system to cool down - this will only occur in extreme conditions.

If the light illuminates continuously, a fault with the system is indicated - seek qualified assistance.



Transmission oil temperature - RED (if fitted)

Illuminates when gearbox oil temperature is too high (most likely to occur in very hot weather, during continuous high speed driving, when towing heavy loads on steep inclines).

If the light illuminates, reduce speed. If the light remains on, stop the vehicle and do not drive until it has extinguished.



Check engine - AMBER (Td5 models only)

Illuminates as a bulb and system check when the starter switch is turned to position 'II' and extinguishes after approximately 3 seconds. Illumination at any other time indicates an engine fault - if the light illuminates, avoid high speeds and seek qualified assistance urgently.



Fuel filter - AMBER (Td5 models only)

Illuminates as a bulb check when the starter switch is turned to position 'II' and extinguishes after approximately 2 seconds. If the light illuminates while driving, this indicates the presence of excessive amounts of water in the fuel. You may continue driving, but should seek qualified assistance at the earliest opportunity.



Low fuel - AMBER

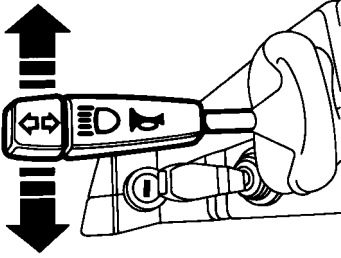
Illuminates when the fuel remaining in the tank drops to a minimum of 2 gallons (9 litres). If the light illuminates, refuel at the first opportunity.



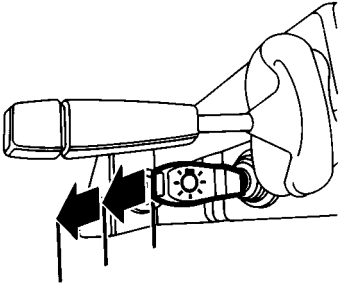
Cold start - AMBER (Petrol engines only)

Illuminates when the cold start control is selected and extinguishes when the cold start control is pushed fully in.

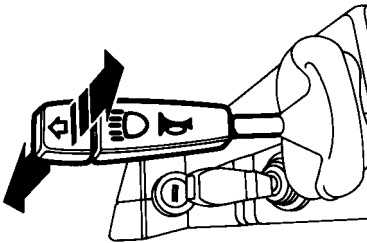
Lights & indicators



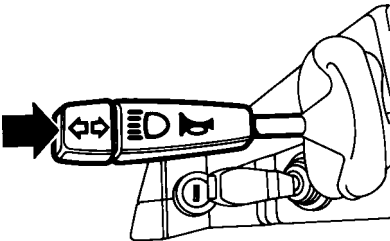
D028A



D029



D030A



D031A

Direction indicators

Move the lever **DOWN** to indicate a **LEFT** turn, and **UP** to indicate a **RIGHT** turn (the **GREEN** warning light on the instrument panel will flash in time with the direction indicators). Hold the lever part-way up or down against spring pressure to indicate a lane change.

Main light switch

Lever position;

- Static - all lights off
- First position - side, tail and instrument panel lights on (see 'Dim-dip' headlights)
- Second position - headlights on

Headlight main beam and 'flash'

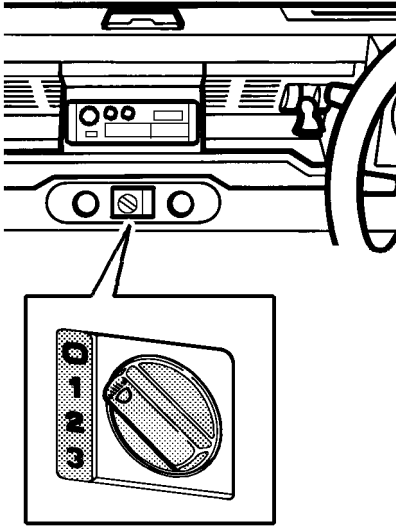
With the headlights switched on, push the lever away from the steering wheel to activate main beam (**BLUE** warning light illuminates).

To flash the headlights, pull the lever part-way towards the steering wheel and then release.

Horn

Press end of the lever to operate the horn.

Lights & indicators



D225

Headlight levelling (if fitted)

The height of the headlight beams is affected by the distribution of weight inside the vehicle. Always ensure your headlights are adjusted so that the point at which they meet the road surface ahead of the vehicle provides adequate illumination, without dazzling other road users.

The following load conditions should be used as a guide.

Position '0': Driver only, or driver and all front seats occupied (loadspace empty).

Position '1': All seats occupied (loadspace empty).

Position '2': All seats occupied by adults and loadspace loaded to maximum rear axle weight.

Position '3': Driver only with the loadspace loaded to maximum rear axle weight.

NOTE: The maximum rear axle weight can be found in the 'General data' section.

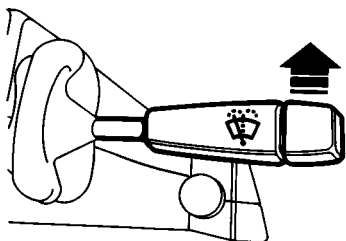
Vehicles fitted with front seats only:

Positions '1' and '2' should only be used when required, according to the distribution and weight of the load being carried.

Wipers & washers

WARNING

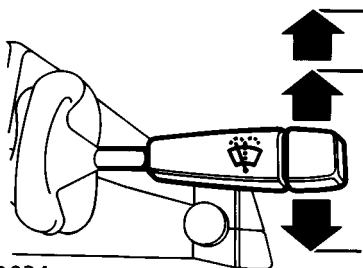
To prevent possible overload damage to the linkage or the wiper motors in either freezing or extremely hot conditions, care must be taken to ensure that the wiper blades are not adhering to the glass before operating the wipers.



D033

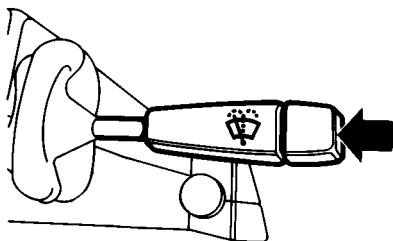
- **Single wipe**
Push the lever up against spring pressure and release immediately.

NOTE: With the lever held up, the wipers will continue operating at slow speed until it is released.



D034

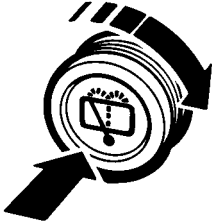
- **Intermittent wipe**
Pull lever down.
- **Normal speed wipe**
Push lever up to first position.
- **Fast speed wipe**
Push lever up to second position.



D035

- **Windscreen washer**
Press to operate (the wipers will also operate).

Wipers & washers



D036A

Rear window wash/wipe

The rear window wash/wipe only operates with the starter switch turned to position 'II'.

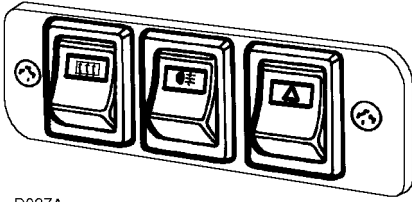
- Press and hold to operate the washer.
- Rotate clockwise and hold to operate the wiper for the required duration.

IMPORTANT INFORMATION

- DO NOT operate the wipers on a dry screen.
- In freezing or very hot conditions, ensure that the blades are not frozen or stuck to the glass.
- In winter, remove any snow or ice from around the arms and blades, including the wiped area of the windscreen and the heater air intakes.

NOTE: *If the wiper blades have stuck to the glass, a thermal cut-out may temporarily prevent the wiper motor from operating. If this is the case, switch the wipers off, free them from the obstruction and then switch on again.*

Switches



D037A

Heated rear window (if fitted)



Press the lower portion of the switch to operate; press the upper portion to switch off. The warning light in the instrument panel illuminates while the heating elements are switched on and extinguishes when they are turned off.

WARNING

DO NOT stick labels over the heating elements, and DO NOT scrape or use abrasive materials to clean the inside of the rear window.

Hazard warning lights



Press the lower portion of the switch to operate (switch indicator illuminates); all the direction indicator lights (including those fitted to a trailer) will flash in conjunction with each other.

Use **ONLY** in an emergency to warn other road users when your stationary vehicle is causing an obstruction, or is in a hazardous situation. Switch off by pressing the upper portion before moving away.

Rear fog guard lights (if fitted)



Press to switch on and off, the warning light in the instrument panel illuminates when the fog lights are on. The rear fog guard lights operate only when the starter switch is at position 'II' and when the headlights are switched on.

NOTE: The rear fog guard lights extinguish automatically when the ignition or the headlights are switched off and will need to be reselected manually.

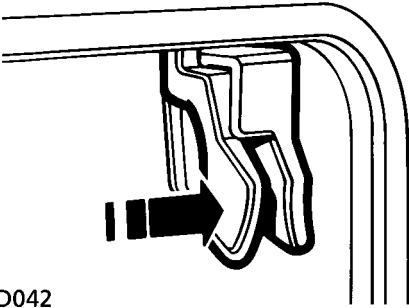
WARNING

The rear fog guard lights can only legally be used when visibility is severely restricted - other road users could be dazzled in clear conditions.

WINDOWS

Front/rear windows;

Raise or lower the window by rotating the handle mounted on the door trim pad.

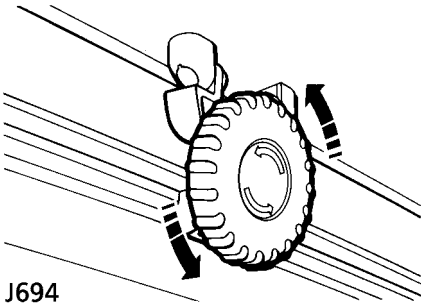


D042

Sliding rear windows; (if fitted)

To open, press the catch tongues together, slide the window to the desired position and release the catch, ensuring that it locates securely in the sockets, locking the window in position.

Sunroof



J694

SUNROOF (if fitted)

The sunroof can be opened to varying degrees or, if required, can be removed completely.

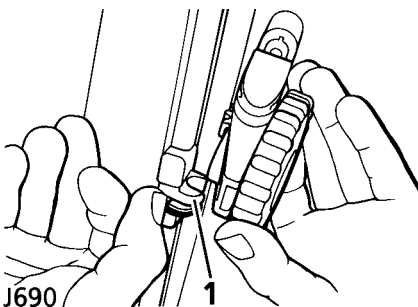
To OPEN the roof:

Turn the hand wheel anti-clockwise to give the desired opening.

To CLOSE the roof:

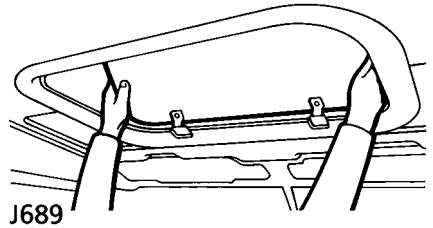
Turn the hand wheel clockwise until resistance is felt.

To REMOVE the roof:



J690

Open the sunroof fully and push the catch (1) rearwards to disengage the hand wheel mechanism.



J689

Remove the sunroof by tilting upwards and lifting rearwards to disengage the locating lugs.

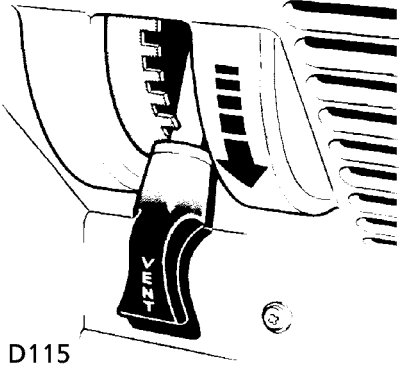
WARNING

DO NOT store the sunroof loose in the vehicle.

DO NOT allow passengers to extend any part of their bodies through the sunroof while the vehicle is moving.

DO NOT remove the sunroof whilst the vehicle is moving.

Refit the sunroof by following the same procedure in reverse.

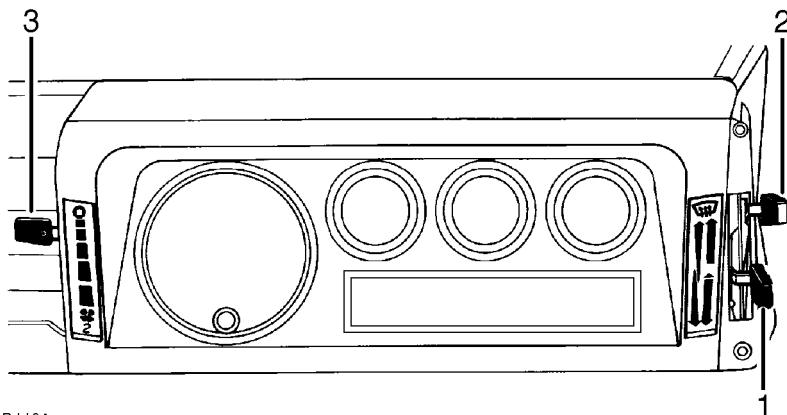


Fresh air vents

To open the two vents in the windscreen frame, push the lever to the right and then downwards to the desired position and release.

The temperature of air supplied to the fresh air vents is not controlled by the heater.

NOTE: For vehicles fitted with an air conditioning system, the location and operation of air vents is described on a later page (see 'Air conditioning').



D116A

HEATER CONTROLS

NOTE: For vehicles fitted with an air conditioning system, the heater controls are described on a later page (see 'Air conditioning').

1. Temperature control

Move the lever downwards (towards the RED segment) to increase air temperature, or upwards (towards the BLUE segment) to reduce air temperature.

2. Air distribution control

- Lever fully up - windscreen vents only.
- Lever midway - foot level and windscreen vents.
- Lever fully down - foot level vents (also provides some air to the windscreen).

3. Fan speed control

- Lever at position '0' - no air will enter the vehicle through the blower vents.
- Lever between positions '0' and '1' - progressively more air will enter the vehicle, depending solely on the ram effect of the vehicle moving through the air.
- Lever between positions '1' and '2' - the fan will operate and progressively increase in speed.

Heating & ventilation

USING YOUR HEATER

Ensure the front grille and the air intake grille on the front wing are kept clear of obstructions (especially snow and ice).

The following examples of basic heater settings are intended as a general guide; the air distribution, temperature and blower controls can then be further adjusted to suit your comfort requirements.

Always remember that full heating is not available until the engine has reached its normal operating temperature.

Maximum heating

- Temperature control - fully down.
- Distribution control - midway.
- Fan speed control - fully down.
- Fresh air vents - fully closed.

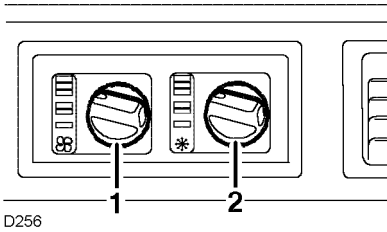
Demisting and defrosting

- Temperature control - fully down.
- Distribution control - fully up.
- Fan speed control - fully down.
- Fresh air vents - fully open for demisting (closed for defrosting).
- Opening a window may improve ventilation.

Maximum ventilation

- Temperature control - fully up.
- Distribution control - fully down.
- Fan speed control - fully down.
- Fresh air vents - fully open.

Air conditioning



CONTROLS

1. On/off blower control

Rotate clockwise to the first position to turn on the air conditioning. Rotate further (positions II and III) to increase the flow of conditioned air from the four vents in the lower fascia.

NOTE: The air conditioning will only operate with the engine running.

2. Temperature control

Rotate clockwise (positions I to III) to obtain progressively cooler air.

Air vents

The four air conditioning vents located in the lower fascia can be adjusted to suit your requirements. The adjuster in the centre of each vent can be used to adjust volume and direction of air. To cut off the supply of air from any particular vent, slide the adjuster fully to the left.

USING THE AIR CONDITIONING (if fitted)

If your vehicle has been fitted with an air conditioning system, you may find the following guidelines useful.

Air conditioning provides additional cooling to the vehicle interior and also reduces the moisture content of the air.

It is important to keep the windows, sunroof and fresh air vents closed during operation.

Points to remember:

- If the temperature inside the vehicle is higher than that outside when you start the engine, it will take time for the air conditioning to become fully effective. It is best to ventilate the vehicle by opening the windows and setting the controls to 'Maximum cooling' (see next page). When the vehicle has been ventilated, close the windows and set the blower controls for personal comfort.
- Operating the air conditioning takes power from the engine and consequently increases fuel consumption.
- All air conditioning systems need to be operated for a short while every week (even in winter) to maintain them in peak condition.
- The air conditioning system will also dehumidify air. The surplus water produced by this process is expelled from the system via drain tubes beneath the vehicle. This may result in a small pool of water forming on the road when the vehicle is stationary and is not a cause for concern.

Air conditioning

The following examples of air conditioning settings are included for your guidance:

***NOTE:** If air conditioning is to be used, ensure that the fresh air vents are closed and that the heater unit controls are set to:*

Temperature control - fully up.

Fan speed control - position '0'.

Distribution control - fully up.

Normal cooling

Temperature control - set to positions I or II.

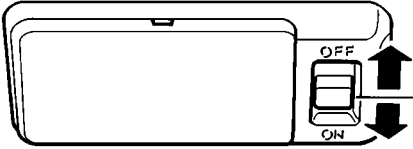
Blower control - set to desired speed.

Maximum cooling

Temperature control - set to position III.

Blower control - set to position III

Interior equipment



D043

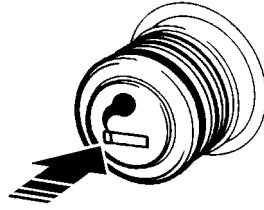
INTERIOR LIGHTS

With the switch midway between the 'ON' and 'OFF' positions, the light will illuminate automatically whenever a door is opened and remain illuminated for approximately 15 seconds after ALL the doors are closed, or until the starter switch is turned on.

When alighting from the vehicle, the interior lights will fade and then extinguish as soon as the last door is closed.

NOTE: Any subsequent opening and shutting of doors prior to the starter switch being turned on again, will cause the 15 second delay feature to operate.

NOTE: If a door remains open for eight minutes, a 'time-out' function will extinguish the lights to avoid discharging the battery.

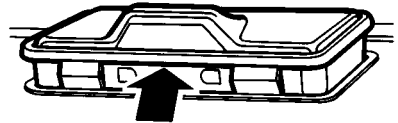


D044

CIGAR LIGHTER

With the starter switch turned to position II, press the lighter in to heat up. When it has reached the correct temperature it will partially eject and can then be withdrawn for use.

- ONLY hold the cigar lighter by the handle.
- DO NOT use the ashtray for disposing of waste paper or other combustible materials.
- DO NOT plug accessories into the cigar lighter socket unless they are approved by Land Rover.



D046

ASHTRAY

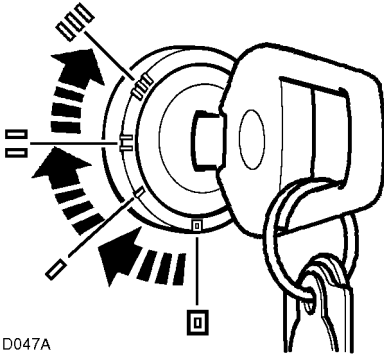
Lift the lid of the ashtray to open. To remove, carefully prise the ashtray out of the fascia panel.

SECTION 3

Driving & operating

Section Contents	Page
Starter switch & steering lock	47
Starting & driving	48
Fuel	55
Gearbox & transmission	59
Brakes	64
Traction control	68
Towing & load carrying	69
Emergency starting	72
Vehicle recovery	74
Ancillary equipment	76

Starter switch & steering lock



To unlock the steering column

Insert the ignition key FULLY and turn the starter switch to position 'I', while turning the steering wheel slightly to disengage the lock.

To lock the steering column

Turn the starter switch to position '0' and withdraw the key from the starter switch. Turn the steering wheel towards the straight ahead position until the lock engages.

WARNING

DO NOT remove the key or turn the starter switch to position '0' while the vehicle is in motion. Once the steering lock is engaged, it is impossible to steer the vehicle.

STARTER SWITCH

The starter switch is located to the left of the steering column, and uses the following sequence of key positions to operate the steering lock, electrical circuits and starter motor.

Position '0'

Steering locked (if key is removed).

Most lighting circuits are operational, including: sidelights, headlights, hazard warning lights and rear fog guard lights.

Position 'I'

Steering unlocked.

Radio/cassette player can be operated.

Position 'II'

All instruments, warning lights and electrical circuits are operational.

Position 'III'

Starter motor operates.

Release the key immediately the engine starts (the key will automatically return to position 'II').

Note that operation of position 'I' electrical functions will be interrupted during engine cranking.

Starting & driving

STARTING - DIESEL ENGINES

1. Check that the handbrake is applied and that the gear lever is in neutral.
2. Switch off all unnecessary electrical equipment.
3. Insert the starter key and turn the switch to position 'II'. Wait until the glow plug warning light extinguishes.

***NOTE:** When restarting a warm engine, it will not be necessary to wait for the glow plug warning light to extinguish.*

4. Turn the key to position 'III' to operate the starter motor; DO NOT press the accelerator pedal during starting, and RELEASE THE KEY as soon as the engine is running.

***NOTE:** In temperate climates, the battery charging and oil pressure warning lights should extinguish as soon as the engine is running.*

In cold weather, or when the battery is in a low state of charge, depress the clutch pedal while starting and hold it down until the engine is running.

In temperate climates, DO NOT operate the starter for longer than 10 seconds; if the engine fails to start, switch off and wait 10 seconds before re-using the starter. Please note that prolonged use of the starter will not only discharge the battery but may also damage the starter motor.

Starting & driving

Cold climates

In very cold climates, the battery charging and oil pressure warning lights may take several seconds to extinguish. Similarly, engine cranking times will also increase; at -30°C the starter motor may need to be operated continuously for as long as 30 seconds before the engine will start. For this reason, ensure that all non-essential electrical equipment is switched off.

Warming up

In the interests of fuel economy, it is advisable to start driving straight away, remembering that harsh acceleration or labouring the engine before the normal operating temperature has been reached can damage the engine.

WARNING

The engine must not be run above fast idle speed until the oil pressure warning light extinguishes to ensure that the engine and turbo-charger bearings are properly lubricated before being run at speed.

WARNING

Exhaust fumes contain poisonous substances which can cause unconsciousness and may even be fatal.

- *DO NOT inhale exhaust gases.*
- *DO NOT start or leave the engine running in an enclosed unventilated area, or drive with the rear door open.*
- *DO NOT modify the exhaust system from the original design.*
- *DO repair exhaust system or body leaks immediately.*
- *If you think exhaust fumes are entering the vehicle have the cause determined and corrected immediately.*

Switching off

To avoid the possibility of damaging the turbo-charger bearings through inadequate lubrication, ALWAYS allow the engine to idle for 10 seconds before switching off. Turn the engine off by returning the starter switch to position 'I' and then position 'O' to remove key.

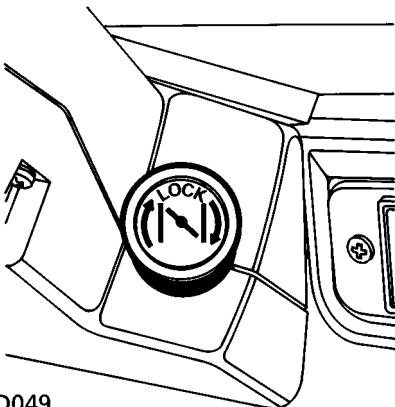
Starting & driving

STARTING - PETROL ENGINES

1. Check that the handbrake is applied and that the gear lever is in neutral.
2. Switch off all unnecessary electrical equipment.
3. If the engine is cold, pull out the cold start control (if fitted) and turn it clockwise to lock (see illustration).
4. Insert the starter key and turn the switch to position 'II' and then on to position 'III' to operate the starter motor. DO NOT press the accelerator pedal during starting and RELEASE THE KEY as soon as the engine is running.

In temperate climates DO NOT operate the starter for longer than 10 seconds. If the engine fails to start, switch off and wait 10 seconds before re-using the starter. Please note that prolonged use of the starter will not only discharge the battery but may also damage the starter motor.

In temperate climates, the battery charging and oil pressure warning lights should extinguish as soon as the engine is running.



D049

In cold weather, or when the battery is in a low state of charge, depress the clutch pedal while starting and hold it down until the engine is running.

Cold climates

In very cold climates, the battery charging and oil pressure warning lights may take several seconds to extinguish. Similarly, engine cranking times will also increase; at -30°C the starter motor may need to be operated continuously for as long as 30 seconds before the engine will start. For this reason, ensure that all non-essential electrical equipment is switched off.

Additionally, in very cold climates, use of a cylinder block heater will improve the engine's starting characteristics. Your Land Rover dealer can advise you about the supply and use of a cylinder block heater.

Warming up

In the interests of fuel economy, it is advisable to start driving straight away, remembering that harsh acceleration or labouring the engine before the normal operating temperature has been reached can damage the engine.

NOTE: Remember to turn off the cold start control once normal operating temperature is reached.

WARNING

Exhaust fumes contain poisonous substances which can cause unconsciousness and may even be fatal.

- *DO NOT inhale exhaust gases.*
- *DO NOT start or leave the engine running in an enclosed unventilated area, or drive with the rear door open.*
- *DO NOT modify the exhaust system from the original design.*
- *DO repair exhaust system or body leaks immediately.*
- *If you think exhaust fumes are entering the vehicle have the cause determined and corrected immediately.*

Parking

After bringing the vehicle to a stop, ALWAYS apply the handbrake and select neutral in the main gearbox before releasing the foot brake and switching off the engine.

Switching off

Return the starter switch to position 'I' and then to position '0' to remove the key.

EMISSION CONTROL SYSTEM

Land Rover vehicles are fitted with emission and evaporative control equipment necessary to meet a number of territorial requirements.

In many countries, it is against the law for vehicle owners to modify or tamper with emission control equipment, or to sanction the unauthorised replacement or modification of this equipment by a repair shop. In such cases, the vehicle owner and the repairer may both be liable for legal penalties.

It is important to remember that all Land Rover dealers are properly equipped to perform repairs and to maintain the emission control system on your vehicle.

IMPORTANT INFORMATION

Vehicle stability

Your vehicle has a higher ground clearance and, hence, a higher centre of gravity than ordinary passenger cars, to enable the vehicle to perform in a wide variety of different off-road applications. An advantage of the higher ground clearance is a better view of the road, allowing the driver to more easily anticipate problems. Inexperienced drivers should take additional care, remembering that the Defender is not designed for cornering at the same speed as conventional passenger cars, any more than a low slung sports car is designed to perform satisfactorily in off-road conditions. As with other vehicles of this type, failure to operate the Defender correctly may result in loss of control or even vehicle rollover.

Vehicle height

The overall height of your vehicle exceeds that of ordinary passenger cars. Always be aware of the height of your vehicle and check available headroom before driving through low entrances. This is particularly important if the vehicle is fitted with a roof rack or if a sunroof is open.

Starting & driving

RUNNING-IN (petrol & diesel models)

Proper running-in will have a direct bearing on the reliability and smooth running of your vehicle throughout its life.

In particular, the engine, gearbox, brakes and tyres need time to bed-in and adjust to the demands of everyday motoring. It is therefore essential to drive with consideration for the running-in process for at least the first 800 km (500 miles) and observe the following advice:

- LIMIT maximum speed to 80 km/h (50 mph) for Td5, Tdi and 4-cylinder petrol engines and 95 km/h (60 mph) for V8 engines. Initially, drive the vehicle on a light throttle and only increase engine speeds once the running-in distance has been completed.
- DO NOT operate at full throttle or allow the engine to labour in any gear.
- AVOID fast acceleration and heavy braking except in emergencies.

FUEL ECONOMY

Fuel consumption is influenced by two major factors:

- How your vehicle is maintained.
- How you drive your vehicle.

To obtain optimum fuel economy, it is essential that your vehicle is maintained in accordance with the manufacturer's service schedule.

Items such as ignition timing, the condition of the air cleaner element, tyre pressures and wheel alignment can have a significant effect on fuel consumption. But above all, the way in which you drive is most important. The following hints may help you to obtain even better value from your motoring:

- Avoid unnecessary, short, start-stop journeys.
- Avoid fast starts by accelerating gently and smoothly from rest.
- Do not drive in the lower gears longer than necessary.
- Decelerate gently and avoid sudden and heavy braking.
- Anticipate obstructions and adjust your speed accordingly well in advance.

DRIVE GENTLY - SAVE FUEL!

Starting & driving

IMPORTANT DRIVING INFORMATION

Instruments & warning lights

Before driving, it is important to fully understand the function of the instruments and warning lights described in section 2.

NOTE: *Red warning lights are of particular importance, illumination indicates that a fault exists. If a red light illuminates, always stop the vehicle and seek qualified assistance before continuing.*

Vehicle stability

Your vehicle has a higher ground clearance and, therefore, a higher centre of gravity than ordinary passenger cars. This will result in different handling characteristics. Inexperienced drivers should take additional care, particularly in off-road driving situations and when performing abrupt manoeuvres at inappropriate speeds or on unstable surfaces.

Vehicle height

The overall height of your vehicle exceeds that of ordinary passenger cars. Always be aware of the height of your vehicle and check the available headroom before driving through low entrances. This is particularly important if the vehicle is fitted with a roof rack or if the sunroof is open.

Power assisted steering

Power assistance is progressively applied the more the steering wheel is turned. For example; where manual steering effort would normally be greatest (at slow speeds on maximum lock), power assistance is greatest. Similarly, where only minimal steering effort would normally be required (at high speed with the wheels straight ahead), then power assistance is also minimal, thus enabling the driver to benefit from apparently consistent steering effort at all times.

WARNING

Under no circumstances must the steering wheel be held on full lock for more than thirty seconds in one minute, otherwise the steering assembly may be damaged.

NOTE: *Power assistance is dependent on the engine running. If the engine is not running, greater effort will be required to steer the vehicle.*

Auxiliary equipment

WARNING

DO NOT use auxiliary equipment, such as roller generators, that are driven by one wheel of the vehicle, as they could cause failure of the gearbox differential. If the gearbox differential lock is engaged in an attempt to avoid damage, the vehicle will drive itself forward.

PETROL ENGINES

USE ONLY RECOMMENDED FUEL

4 cylinder engines:

Use 90 RON minimum leaded or unleaded fuel wherever possible.

V8 engines:

Use 91 - 93 leaded or unleaded fuel wherever possible.

The RON value (octane rating) of petroleum commonly available at garage forecourts will vary in different countries. The RON value quoted is the MINIMUM requirement and whilst this can be safely exceeded, no advantage in performance or fuel economy will be gained by using a higher octane fuel.

If heavy engine knock is detected when using the recommended octane rated fuel, or if steady engine knocking is present while maintaining a steady speed on level roads, contact your dealer for advice.

NOTE: *An occasional, light, engine knock while accelerating or climbing hills is acceptable.*

DIESEL ENGINES

The quality of diesel fuel (Derv) can vary in different countries and only clean, good quality fuel should be used. It is important that the sulphur content of diesel fuel does not exceed 1%; in Europe all supplies should be within this limit, but in other parts of the world, you should check with your supplier.

Ensure the fuel filter element is changed and the fuel sedimenter drained, at the recommended service intervals.

If good quality diesel fuel is unavailable and it is necessary to use poor quality fuel, it may be necessary to have the fuel filter/sedimenter drained regularly.

NOTE: *The use of paraffin (kerosene) as a diesel fuel additive is illegal in the UK.*

WARNING

On both petrol and diesel engine vehicles, if the fuel tank is accidentally filled with the wrong fuel, it is ESSENTIAL that you contact your dealer BEFORE attempting to start the engine!

Fuel filling

To unlock the fuel cap;

1. Insert the key and turn it 90° clockwise.
2. Turn the key back to the vertical and then remove.

The cap should then be unscrewed gradually (see Warning below).

WARNING

To avoid any sudden discharge of fuel caused by excessive air pressure, the cap is designed to allow the fuel tank to vent during the first half turn. DO NOT fully remove the cap until pressure has been released.

Filling station pumps are equipped with automatic cut-off sensing to avoid fuel spillage - only fill the tank until the filler nozzle automatically shuts off. DO NOT attempt to fill the tank beyond this point or spillage could result due to expansion of the fuel.

WARNING

DO NOT fully fill the tank if the vehicle is to be parked on a slope in direct sunlight or high ambient temperature - expansion of the fuel could cause spillage.

When replacing the fuel cap, turn it clockwise until the cap clicks at least three times - this locks the cap (the key is not needed).

SAFETY ON THE FORECOURT

Petroleum gases are highly inflammable and in confined spaces are also explosive. Always take sensible precautions when refuelling:

- Switch off the engine.
- Do not smoke or use a naked flame or light.
- Take care not to spill fuel.
- Do not overfill the tank.

Empty fuel tank

DO NOT RUN THE FUEL TANK DRY!

In the case of Tdi diesel models, qualified assistance may be required to prime the fuel system before the engine can be restarted.

Td5 diesel engine vehicles

In the case of Td5 vehicles, carry out the following procedure:

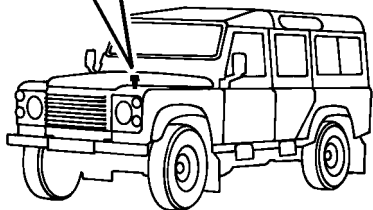
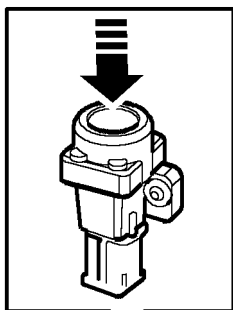
1. Turn off the starter switch and wait for 15 seconds.
2. Turn the starter key to position 'II' and wait for 30 seconds.
3. Turn off the starter switch.

Repeat steps 2 and 3 six times.

4. Fully depress the accelerator pedal.
5. Keeping the pedal depressed, start cranking the engine.
6. Continue cranking the engine and as soon as the engine is running on all cylinders, ease the accelerator pedal back to approximately halfway through its travel, and release the starter key. The engine should now be running.
7. If the engine fails to start, repeat the process.

During the above procedure, the fuel pump will be heard to operate (priming the engine). This noise is not a cause for concern.

IMPORTANT INFORMATION
<p>The engine must NOT be cranked for more than 20 seconds in any one period.</p> <p>If the above procedure is carried out on a vehicle that has NOT run out of fuel, it will result in the engine flooding with fuel and failing to start.</p>



D263

FUEL CUT-OFF SWITCH

(Td5 models only)

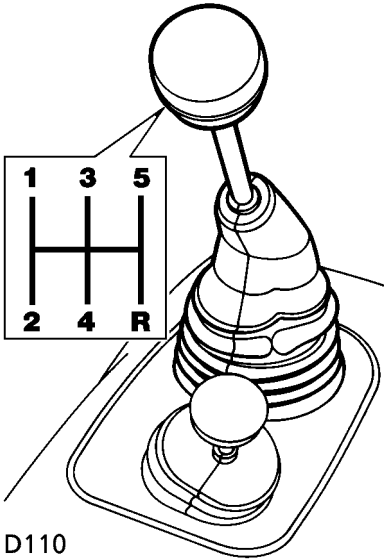
The fuel cut-off switch is a safety device which, in the event of a collision or sudden impact, automatically cuts off the fuel supply to the engine.

The switch is located on the engine compartment bulkhead. After an impact, the switch must be reset by pressing the rubber top (arrowed in illustration) before the engine can be restarted.

WARNING

ALWAYS check for fuel leaks before resetting the switch!

Gearbox & transmission



D110

Clutch

Take care NOT to use the clutch pedal as a foot rest. To prevent unnecessary wear, always keep the left foot well clear of the clutch pedal, except when changing gear.

WARNING

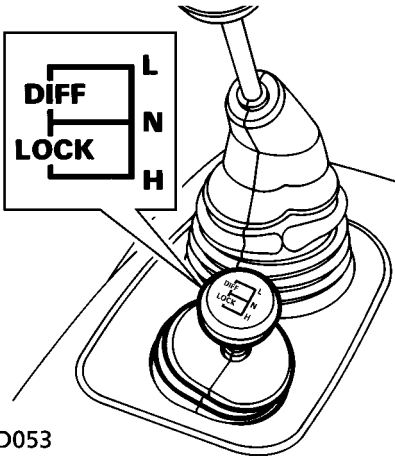
Do NOT select reverse gear unless the vehicle is stationary.

MAIN GEARBOX

Your vehicle features a five speed main gearbox and a two speed transfer box. In addition, a centre differential in the transfer box distributes the drive to the front and rear axles, providing permanent four wheel drive. By using the main gearbox in conjunction with the transfer gears, ten forward and two reverse speeds are available.

The gear positions for the main gearbox are shown on the gear lever knob. Note that when the gearbox is in neutral, the gear lever is spring-loaded to automatically align between third and fourth gear positions.

Gearbox & transmission



Neutral ('N')

With the transfer lever in neutral, drive cannot be transmitted to the road wheels, regardless of the position of the main gear lever. Use transfer neutral when being towed or when using winching or power take off facilities.

'Diff lock' centre differential

Use the 'unlocked' position for all normal driving, and use the 'DIFF-LOCK' position to improve traction in extreme conditions where wheel grip could be lost, such as: wet grass, mud, sand, ice or snow. Return to the 'unlocked' position as soon as dry, firm, ground is reached.

DO NOT use the 'diff lock' unnecessarily!

TRANSFER GEARBOX

The second gear lever is used to select either the high or low range of gears in the transfer gearbox and, in addition, also controls the centre differential (known as the 'DIFF LOCK').

High range ('H')

Use high range for all normal road driving and also for off-road driving across dry, level terrain.

Low range ('L')

Use low range gears when moving off from rest when towing a heavy load, or in any situation where low speed manoeuvring is necessary, such as reversing a trailer or negotiating a boulder strewn river bed; also use for more extreme off-road conditions where progress in high range cannot be maintained.

USING THE TRANSFER GEARBOX

With the vehicle stationary and the engine running, depress the clutch and then move the lever fully forward (or backwards) in TWO distinct but positive moves - 'high to neutral'.... 'neutral to low' (or vice versa).

If there is resistance to the gear engaging, do not force the lever. Instead, with the main lever in gear, release the clutch momentarily and then try again.

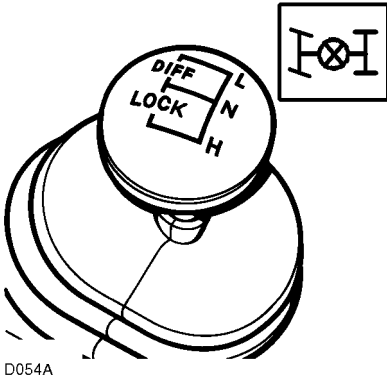
Changing from low to high on the move:

Changing from 'L' (low) to 'H' (high) can be achieved without stopping the vehicle, as follows:

- 1.** Apply slight backward pressure to the transfer gear lever in preparation for changing.
- 2.** Then, in three simultaneous moves, depress the clutch, release the accelerator and pull the transfer lever into neutral.
- 3.** Release the clutch pedal for approximately 3 seconds before depressing it again and moving the transfer lever firmly into the high position.
- 4.** Finally, select a suitable main gear, release the clutch and continue driving in the normal way.

NOTE: *After a little practice, this operation can be carried out smoothly and quickly by using firm, positive moves.*

Gearbox & transmission



THE DIFFERENTIAL LOCK

Unlike many four wheel drive vehicles, all Land Rover vehicles have permanent four wheel drive. This is achieved by the inclusion of a lockable differential between the front and rear drive shafts. With the differential locked, the drive shafts to front and rear axles are (in effect) joined together, causing both to rotate at the same speed. This is a normal feature with all four wheel drive vehicles and enhances traction on difficult off-road surfaces. However, with the differential unlocked the different running requirements of the two axles can be accommodated, thereby enabling Land Rover vehicles to operate permanently in four wheel drive for both road AND off-road use.

Selecting diff lock

The diff lock can be engaged or disengaged either with the vehicle stationary, or when driving at any road speed. However, with the vehicle in motion it is **ESSENTIAL** to be travelling on firm ground, in a straight line, and without wheel slip.

WARNING

DO NOT engage the diff lock if one or more wheels are slipping - this could damage the transmission. If wheels are slipping, ease off the accelerator before engaging the diff lock.

DO NOT engage the diff lock from the transfer neutral position.

To lock the differential:

Briefly ease the throttle and move the transfer gear lever to the left - from either 'H' (high) or 'L' (low) position (the warning light on the instrument panel will illuminate).

To unlock the differential:

Move the transfer gear lever to the right - to either 'H' (high) or 'L' (low) position as required; when the diff lock disengages the warning light will extinguish.

Gearbox & transmission

When to use the diff lock

As a general rule, the differential should only be locked in order to drive off-road on loose and slippery surfaces. ALWAYS unlock the differential for normal road driving or as soon as a hard grippy surface is reached whether high or low gears are selected.

***NOTE:** A valuable introduction to off-road driving, which includes many useful references to the transfer gearbox and 'diff lock', is included in the 'Off-road driving' section of the handbook.*

WARNING

If the vehicle is driven on normal road surfaces with the differential locked, the steering will feel stiff, excessive tyre wear will occur and the transmission will be 'wound up'. This places excessive strain on the transmission.

Diff lock warning light

The amber warning light on the instrument panel illuminates when the diff lock is actually engaged - rather than when it has been selected. Similarly it will only extinguish when the diff lock is actually disengaged. This accounts for a slight delay between diff lock deselection and the warning light extinguishing which is quite normal.

IMPORTANT INFORMATION

Transmission 'wind up'

If the warning light is obviously reluctant to extinguish after the diff lock has been deselected, some transmission 'wind up' may be present.

Reversing the vehicle for a short distance and then going forward will usually 'unwind' the transmission and extinguish the light and the vehicle can then be driven as normal. However, if after two or three attempts to 'unwind' the transmission the light remains on, consult your dealer AS SOON AS POSSIBLE.

BRAKING SYSTEM

The hydraulic braking system operates through dual circuits; if one circuit should fail, the other will continue to function. However, in the event of a brake failure where only one circuit is operational, the vehicle should only be driven at slow speed to the nearest qualified dealer. In these circumstances, exercise extreme caution and be aware that much greater pedal effort and longer stopping distances will be required.

The braking system is servo assisted. This means that if the engine stops running, all servo assistance will be lost, requiring greater pedal effort and resulting in longer stopping distances.

Brake pads

Brake pads require a period of bedding in. You should avoid heavy braking, except in emergencies, for at least the first 800 km (500 miles).

Remember that regular servicing is vital to ensure that the brake pads are examined for wear and changed periodically to ensure long term safety and optimum performance.

Brake warning light

If the warning light on the instrument panel illuminates while driving, and the handbrake is fully released, a fault with the braking system is indicated. Check the brake fluid level; if the light continues to illuminate, seek qualified assistance before continuing.

WARNING

DO NOT rest your foot on the brake pedal while travelling, as this may overheat the brakes, reduce their efficiency and cause excessive wear.

NEVER move a vehicle without the engine running because braking assistance will not be available. The pedal brakes will still function, but more pressure will be required.

ALWAYS take particular care when being towed with the engine turned off.

If the brake warning light should illuminate while the vehicle is in motion, bring the vehicle to a halt as quickly as traffic conditions and safety permit and seek qualified assistance before continuing - DO NOT pump the brake pedal. If the brake pedal is pumped, the braking system may lose any remaining assistance available.

Wet conditions

Driving through water or even very heavy rain may adversely affect braking efficiency. Always dry the braking surfaces by intermittent light application of the brakes, first ensuring that you are at a safe distance from other road users.

HANDBRAKE

Unlike most other vehicles, the handbrake operates on the rear propeller shaft, and NOT on the road wheels. This may result in slight movement of the vehicle after the handbrake is applied.

To engage the handbrake, depress the button and pull the lever up.

To release, pull the lever up slightly, depress the button and lower the lever.

Always apply the handbrake fully whenever you park.

When parking on a slope, do not rely on the handbrake alone to hold the vehicle, park in a low forward gear when facing uphill and in reverse gear when facing downhill. For extra security on steep slopes, move the transfer lever into low range or engage the diff lock.

WARNING

DO NOT apply the handbrake while the vehicle is in motion as this could result in loss of vehicle control and damage to the transmission.

DO NOT rely on the handbrake to operate effectively if the vehicle has been subjected to immersion in mud and water (see 'Off-road driving').

ANTI-LOCK BRAKING SYSTEM

(if fitted)

The anti-lock braking system (ABS) prevents the wheels from locking, thereby helping to maintain steering control. No special driving techniques or effort is required from the driver.

Under normal braking (where sufficient road surface friction exists to reliably bring the vehicle to a halt, without the wheels locking), the anti-lock braking system will not be activated. However, if the force of your braking should exceed the available adhesion between the tyres and the road, causing one or more wheels to lock, then the anti-lock braking system will automatically come into operation. This will be recognised by a rapid pulsation felt through the brake pedal.

WARNING

The anti-lock braking system cannot overcome the physical limitations of stopping the vehicle in too short a distance, cornering at high speed, or aquaplaning, i.e. where a layer of water prevents adequate contact between the tyres and road surface.

The fact that the vehicle is fitted with anti-lock braking, must never tempt the driver into taking risks that could affect his/her safety, or that of other road users. Drivers still have a duty to drive within normal safety margins, having due consideration for the prevailing road surface, weather and traffic conditions.

Anti-lock braking in action

In an emergency situation, full braking effort should ALWAYS be applied, even when the road surface is slippery. The anti-lock braking system constantly monitors the speed of each wheel and varies braking pressure to each, according to the amount of traction available, thereby ensuring that the wheels do not lock.

Always remember, ABS is designed to maintain steering control under heavy braking conditions.

On soft surfaces such as powdery snow, sand or gravel, braking distances may be greater than those achievable on a vehicle without anti-lock braking. This is because the action of locked wheels on loose surfaces, is to build up a wedge of material in front of the wheels, which assists in bringing the vehicle to a halt. However, even in these circumstances, the anti-lock braking system will provide better stability and steering control.



Warning light

The anti-lock braking system incorporates a monitoring system, which checks that all the electrical components are in working order, as soon as the starter switch is turned to position 'II' and also at frequent intervals during your journey.

The warning light on the instrument panel is an important part of this system. The warning light should illuminate for approximately one second when the starter switch is turned to position 'II' and then briefly extinguishes before coming on again. If the light does not extinguish and then illuminate again, a fault has occurred with the ABS system and you should consult your Land Rover dealer at the earliest opportunity. The warning light will remain illuminated until the vehicle is driven above approximately 5 mph (8 km/h).

If the light remains on, or subsequently illuminates while driving, a fault has been detected by the self monitoring system and full ABS control may not be available - consult your dealer at the earliest opportunity.

Traction control

ELECTRONIC TRACTION CONTROL

(if fitted)

The purpose of electronic traction control is to aid traction when one wheel spins while the other still has good grip, eg. if one side of the vehicle is on ice and the other is on tarmac. The system works by applying the brake to a spinning wheel in order to transfer torque to the other side of the axle.

NOTE: *Traction control only operates below approximately 30 mph (50 km/h).*

The instrument panel has a traction control warning light (TC) which illuminates whenever the system is active (for a minimum of 2 seconds) and also illuminates as a bulb check (for approximately 4 seconds) when the starter switch is turned to position 'II'. In the unlikely event that traction control operates continuously for too long (in excess of approximately 1 minute), then the control unit shuts down to allow cooling and the warning light flashes for at least ten seconds.

If there is a fault with the system, then the warning light will illuminate continuously - contact your dealer at the earliest opportunity.

Towing & load carrying

TOWING

WARNING

If a Nato Hook or a Jaw and Pintle type towing accessory is to be fitted to your vehicle, DO NOT attach them directly to the chassis rear cross-member - it is essential that an adapter plate kit (available from a Land Rover dealer) is also fitted.

The torque ranges of Land Rover engines allow maximum-weight loads to be pulled smoothly from standstill, and reduce gear changing on hills or rough terrain.

The suspension is designed to cope with a heavy trailer load without upsetting the balance or feel of the vehicle.

WARNING

Only fit towing accessories that have been designed and approved by Land Rover.

Ensure that the gross weight and maximum rear axle weight are not exceeded.

When preparing your vehicle for towing, always pay careful attention to the trailer manufacturer's recommendations and the following guidelines.

- Ensure that the towing vehicle tyre pressures are correct and that the trailer tyre pressures are as recommended by the trailer manufacturer.
- With the trailer and vehicle unladen, balance the combination so that the trailer draw-bar and the hitch point on the vehicle are at the same height. Adjust the height of the hitch point if necessary.
- Check the operation of trailer brakes and lights.
- For maximum stability, ensure that loads are properly secured and unable to shift position during transit. Also, position loads so that most of the weight is placed close to the floor and, where possible, immediately above or close to the trailer axle(s).
- After loading the trailer, check that the weight on the hitch point (this is called the draw-bar loading weight, or nose weight), is in accordance with the manufacturer's recommendations.
- When calculating the laden weight of the trailer, remember to include the weight of the trailer PLUS THE LOAD.
- Where the load weight can be divided between trailer and tow vehicle, loading more weight into the vehicle will generally improve the stability of the combination.
- A smooth start will be achieved with trailers over 2000 kg (4400 lb) by moving off in LOW range, then changing to HIGH range while on the move (see 'Transfer gearbox').

Towing & load carrying

NOTE: Towing regulations vary from country to country. It is very important to ensure that national regulations governing towing weights and speed limits are observed (refer to the relevant national motoring organisation for information). The following maximum permissible towed weights refer to the vehicle's design limitations and NOT to any specific territorial restriction.

Maximum permissible towed weights	On-road kg	Off-road kg
Unbraked trailers	750	500
Trailers with overrun brakes	3500	1000
4 wheel trailers with coupled brakes	3500	1000

NOSE WEIGHT

The recommended trailer nose weight limit is 150 kg (330 lb). The nose weight plus the combined weight of the vehicle's load carrying area and rear seat passengers, must never exceed the maximum rear axle load or the gross vehicle weight (as shown in 'General data').

WARNING

DO NOT carry unsecured equipment, tools or luggage which could move and cause personal injury in the event of an accident or emergency manoeuvre, either on or off road.

VEHICLE WEIGHTS

When loading a vehicle to its maximum (gross vehicle weight), consideration must be taken of the unladen vehicle weight and the distribution of the load to ensure that axle loadings do not exceed the permitted maximum values.

It is your responsibility to limit the vehicle load in such a way that neither the maximum axle loads nor the gross vehicle weight are exceeded (see 'General data').

Towing & load carrying

Coupled braking systems

In order to tow a trailer with a weight in excess of 3,500 kg, the vehicle must be adapted to operate a coupled brake system. If this adaptation is carried out, the vehicle identification number plate (VIN) must be changed to show the increased train weight.

Revised VIN plates may be obtained from Land Rover; these will be issued subject to satisfactory proof that the vehicle has been fitted with an approved conversion.

NOTE: *Above 300 metres (1,000 feet) the effects of altitude can adversely affect engine performance and also cause overheating.*

Trailer socket

When the engine is running, power consumption from trailer socket must NOT exceed 5 amps.

ROOF RACK

ALWAYS use an approved roof rack and follow the manufacturers' fitting instructions carefully. A full list of all available accessories is available from your Land Rover dealer.

WARNING

ALWAYS consult your dealer for advice regarding the approval, suitability, installation and use of any parts or accessories before fitting.

IMPORTANT INFORMATION

- The MAXIMUM roof rack load is 150 kg.
- A loaded roof rack can reduce the stability of the vehicle, particularly when cornering and encountering cross winds.
- All loads should be evenly distributed, and secured within the periphery of the rack.
- Always secure the load to the side rails, not just to the cross rails.
- Driving off-road with a loaded roof rack is not recommended. If it is necessary to stow luggage on the roof rack while driving off-road, all loads MUST be removed before traversing side slopes.
- Only fit roof racks that have been designed for your vehicle. If in doubt, consult your dealer.

Emergency starting

Starting an engine with a discharged battery

The ONLY recommended methods of restarting a vehicle with a discharged battery are:

- The use of a substitute battery fitted to the disabled vehicle.
- The use of booster cables to connect the battery from a donor vehicle to the discharged battery.

USING BOOSTER CABLES

WARNING

Batteries emit explosive hydrogen gas - keep sparks and naked lights away from the battery compartment.

Make sure BOTH batteries are of the same voltage (12 volts), and that the booster cables have insulated clamps and are approved for use with 12 volt batteries.

DO NOT connect positive (+) terminals to negative (-) terminals, and ensure booster cables are kept away from any moving parts in the engine compartment.

Take care when working near rotating parts of the engine.

Always adopt the following procedure when using booster cables:

1. If a donor vehicle is to be used, both vehicles should be parked with their battery locations adjacent to each other. Ensure that the two vehicles do not touch.
2. Apply the handbrakes and ensure that the transmission of both vehicles is set in neutral ('P' or Park for donor vehicles with automatic transmission).
3. Turn off the starter switch and ALL electrical equipment of BOTH vehicles.
4. Connect the RED booster cable between the positive (+) terminal of the donor battery and the positive (+) terminal of the discharged battery.
5. Connect the BLACK booster cable from the negative (-) terminal of the donor battery to a good earthing point on the disabled vehicle (eg. an engine mounting or other unpainted metal surface) - at least 0.5m away from the battery and well away from fuel and brake lines. **For safety reasons, DO NOT connect this cable to the negative terminal of the discharged battery.**
6. Check that the booster cables are clear of any moving parts in either engine, then start the engine of the donor vehicle and allow it to idle for a few minutes.
7. Now start the vehicle with the discharged battery.

Emergency starting

8. Once both engines are running normally, allow them to idle for two minutes before switching off the engine of the donor vehicle and disconnecting the booster cables. DO NOT switch on any electrical circuits on the previously disabled vehicle until AFTER the booster cables have been removed.
9. Disconnecting the booster cables must be an EXACT reversal of the connecting procedure, **ie; disconnect the BLACK cable from the earthing point on the disabled vehicle FIRST.**

Vehicle recovery

VEHICLE RECOVERY

If it is necessary to recover the vehicle by towing, always adhere to the following procedure:

Towing the vehicle (on four-wheels)

1. Set the main gearbox and transfer box in neutral.
2. Ensure the differential lock is in the unlocked position.
3. Turn the starter switch to the first position to unlock the steering and leave in this position while the vehicle is being towed.
4. Secure the towing attachment to the vehicle.
5. Release the handbrake.

NOTE: *If, due to an accident or electrical fault it is not considered safe to turn the starter switch, the battery must be disconnected.*

IMPORTANT INFORMATION

DO NOT attempt to tow the vehicle unless the starter switch is turned to position '1' (to unlock the steering).

- DO NOT attempt to remove the starter key or turn the switch to position '0' while the vehicle is in motion.
- Without the engine running, the brake servo and power steering pump cannot provide assistance. Greater brake pedal and steering effort are therefore necessary to safely control the vehicle.

Suspended tow

WARNING

*Your vehicle has permanent four wheel drive - the propeller shaft **MUST** be removed from the axle to be trailed.*

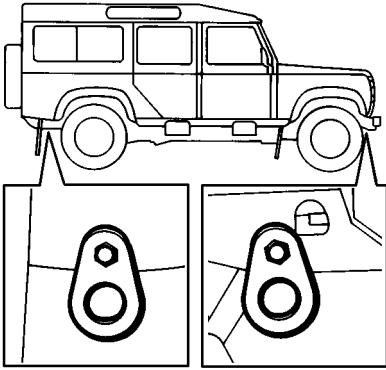
If the front axle is to be trailed ALWAYS adhere to the following precautions:

- Ensure the four bolts securing the front propeller shaft to the gearbox are tightly secured with the appropriate nuts after disconnecting the propeller shaft - otherwise serious damage to the gearbox may occur.
- Unlock the steering.
- Secure the steering wheel and/or linkage in the straight ahead position - the steering lock **MUST NOT** be used for this purpose.

WARNING

*The propeller shaft **MUST** only be reconnected by a qualified Land Rover engineer. Contact your Land Rover dealer for further information.*

Vehicle recovery



D057

Transporter or trailer lashing

Use the towing rings on the front and rear cross members as lashing points (see illustration). **DO NOT** secure lashing hooks or trailer fixings to any other part of the vehicle.

Ancillary equipment

Winches

A number of different winches, suited to jobs ranging from vehicle recovery to haulage, can be fitted to your Defender. For further information on the types of winch available and their various uses, contact your Land Rover dealer.

As winch operation will vary considerably on different winch units, it is essential that the manufacturer's operating instructions are understood and followed carefully.

Winch safety

WARNING

If used incorrectly, winches can be extremely dangerous.

ALWAYS follow the manufacturer's operating instructions carefully.

NEVER stand near, or astride a winching cable whilst it is under tension.

ALWAYS wear protective gloves when handling winching cables.

In addition;

- DO NOT attempt to continue winching if the winch has stalled due to overloading.
- Inspect the winch and cable regularly - ALWAYS have worn or damaged parts replaced immediately.
- Only use recommended replacement parts of the same specification as the original equipment - failure to do so may not only damage the winch, but may cause serious personal injury.

After winching

Whilst wearing thick, protective gloves, clean and lubricate the cable with a recommended cable lubricant. For further information, consult your Land Rover dealer.

WARNING

NEVER allow a cable to kink, coil or overlap.

NOTE: If a capstan winch is used, ensure the rope is cleaned and dried before stowing.

Ancillary equipment

Power take-off drives

Your Defender is capable of providing a static or mobile power source, which can be used to power generators, compressors, pumps and other ancillary equipment, mounted on or under the vehicle, by means of shaft, belt or hydraulic drive. This is possible by having a power take-off drive unit fitted to the transfer gearbox. This provides the basic drive for several variations of power take-off layouts.

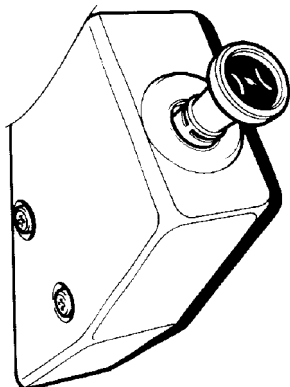
The power take-off capability is an integral part of the vehicle design and has been tried and tested under the most rigorous and demanding conditions across the world. Land Rover dealers provide a full range of power take-off drive units and accessories, designed and built for the Defender.

For static operation, select neutral in the transfer gearbox to disconnect the drive to the road wheels - it is then possible to operate the power take-off independently. The forward gears and hand throttle (if fitted) can now be used to control the operating speed. To prevent the transmission from being overloaded, it is recommended that the highest gear possible should be used.

The lower gears can be used when lower operating speeds are required, but they should only be used for light workloads and for short periods of time.

If power take-off is being used while the vehicle is moving, it will operate at a speed in direct proportion to the road speed of the vehicle and to the selected transfer gear ratio.

For more information on the use of power take-off drives and equipment, consult your Land Rover dealer.



D216

HAND THROTTLE

(if fitted)

The hand throttle is for use in conjunction with power take-off equipment (winches, pumps etc.), when a relatively constant engine speed is required.

WARNING

DO NOT attempt to use the hand throttle when the vehicle is being driven.

Operating the hand throttle

1. Select 'N' (neutral) in the transfer gearbox.
2. Pull the hand throttle control out until the desired engine speed is achieved.
3. Twist the control clockwise to lock the throttle in position.

The accelerator pedal can be used to temporarily over-ride the hand throttle (to increase engine speed). Once the accelerator is released, the engine speed will return to the level set by the hand throttle.

To turn the hand throttle off, twist the control fully in (to the closed position).

Ensure the hand throttle is fully closed before driving.

SECTION 4

Owner maintenance

The long-term safety, reliability and performance of your vehicle will depend very largely on how well it is maintained.

Maintenance is the owner's responsibility and it is ESSENTIAL that all routine services are carried out at the specified intervals. These are shown in the Service Portfolio book included in the literature pack. The Service Portfolio book also includes service record docketts, which must be correctly endorsed by your Land Rover dealer at the conclusion of each service.

This section of the handbook includes information to assist the owner carry out those daily, weekly and monthly checks that are also necessary to ensure safe, reliable motoring.

Section Contents	Page
Owner maintenance	81
Safety in the garage	83
Bonnet opening	84
Engine compartment	86
Tyres	98
Washer jets & wiper blades	100
Battery	101
Wheel changing	105
Wading plugs	112
Fuses	113
Bulb replacement	116
Cleaning & vehicle care	121

Owner maintenance

OWNER MAINTENANCE

In addition to the routine services, which should be carried out by your Land Rover dealer at the intervals shown in the Service Portfolio book, a number of simple checks (listed below) must be carried out by the owner or driver on a regular basis. These are fully described on the pages that follow.

Daily checks

- Operation of lights, horn, direction indicators, wipers, washers and warning lights.
- Operation of seat belts and brakes.
- Look for deposits on the garage floor which may indicate a fluid leak.

Weekly checks

These should be carried out at least every 250 miles or 400 km.

- Engine oil level.
- Cooling system level.
- Screen washer reservoir level.
- Condition and pressure of tyres.
- Clutch fluid level
- Brake fluid level.
- Power steering fluid level.

NOTE: Any significant or sudden drop in fluid levels, or uneven tyre wear should be reported to a Land Rover dealer without delay.

The gearbox fluid level should only be checked by a Land Rover dealer at the time of a routine service.

All fluid specifications and capacities are shown in 'General data'.

IMPORTANT INFORMATION
<p>Special operating conditions</p> <p>When a vehicle is operated in extremely arduous conditions or on dusty, wet or muddy terrain, more frequent attention must be paid to servicing requirements.</p> <p>For example; if your vehicle experiences deep wading conditions, even DAILY servicing could be necessary to ensure the continued safe and reliable operation of the vehicle.</p> <p>Contact a Land Rover dealer for advice.</p>

Owner maintenance

Planned maintenance

Regular systematic maintenance is the key to ensuring the continued reliability and efficiency of your vehicle.

The routine maintenance requirements for your vehicle are shown in the Service Portfolio book. Most of this necessary workshop maintenance requires specialised knowledge and equipment, and should preferably be entrusted to your Land Rover dealer.

Emission control

Your vehicle is fitted with various items of emission and evaporative control equipment designed to meet specific territorial requirements.

You should be aware that unauthorised replacement, modification or tampering with this equipment by an owner or repair shop, may be unlawful and subject to legal penalties.

In addition, engine settings must not be tampered with. These have been established to ensure that your vehicle complies with stringent exhaust emission regulations. Incorrect engine settings may adversely affect exhaust emissions, engine performance and fuel consumption, as well as causing high temperatures, which will result in damage to the vehicle.

Road testing on dynamometers (‘rolling roads’)

WARNING

Because your vehicle is equipped with permanent four-wheel drive, it is essential that any dynamometer testing is carried out ONLY by a qualified person familiar with the dynamometer testing and safety procedures practised by Land Rover dealers. Contact your Land Rover dealer for further information.

Owner maintenance

SAFETY IN THE GARAGE

Whenever you carry out maintenance on your vehicle, the following safety precautions should be observed at all times.

- ALWAYS keep hands, tools and items of clothing clear of all drive belts and pulleys.
- DO NOT touch exhaust or cooling system components until they are cool.
- DO NOT touch electrical leads or components with the starter switch turned on.
- NEVER leave the engine running in an unventilated area - exhaust gases are poisonous and contain carbon monoxide, which can cause unconsciousness and may even be fatal.
- DO NOT work beneath the vehicle with the wheel change lifting jack as the only means of support.
- Ensure sparks and naked lights are kept away from the engine and battery compartments.

WARNING

Remember; cooling fans and air conditioning system condenser fans (if fitted), may continue to operate after the engine is switched off. Always wait until the fans have completely stopped moving before working in the engine compartment.

WARNING

Under no circumstances should any part of the fuel system be dismantled or replaced by anyone other than a suitably qualified motor vehicle technician. Failure to comply with this instruction may result in fuel spillage with a consequent serious risk of fire

Poisonous liquids

Most liquids and lubricants used in motor vehicles are poisonous and should not be consumed, or brought into contact with open wounds. These include: battery acid, anti-freeze, brake and power steering fluid, as well as petrol, diesel, engine oil and windscreen washer additives.

For your own safety, ALWAYS read and obey all instructions printed on labels and containers.

Used engine oil

Prolonged contact with engine oil can cause serious skin disorders, including dermatitis and skin cancer. ALWAYS wash thoroughly after contact.

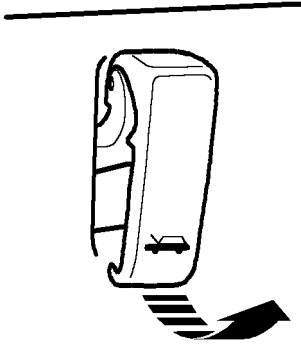
It is illegal to pollute drains, water courses or soil with toxic chemicals such as used engine oil. ALWAYS dispose of vehicle liquids and lubricants, at authorised waste disposal sites or at garages which provide facilities for the receipt of discharged batteries, used engine oil and toxic chemicals. If in doubt, contact your Local Authority for advice.

PROTECT THE ENVIRONMENT!

Bonnet opening

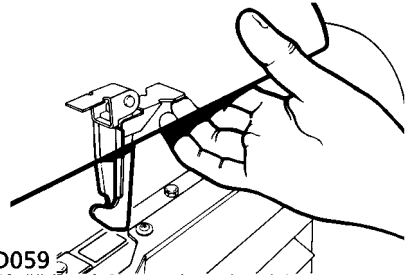
WARNING

Ensure the wipers are switched off and have returned to the parked position before opening the bonnet.



D257

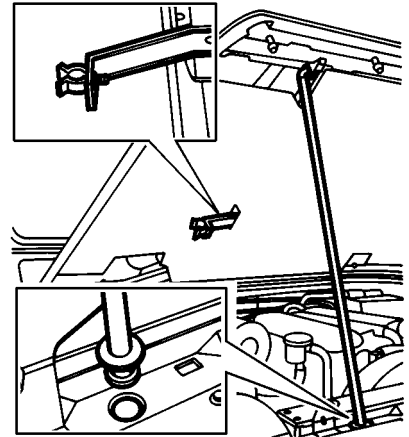
Pull the bonnet release handle (located in the right hand footwell).



D059

Lift the safety catch lever (as illustration) and raise the bonnet.

Prop stay

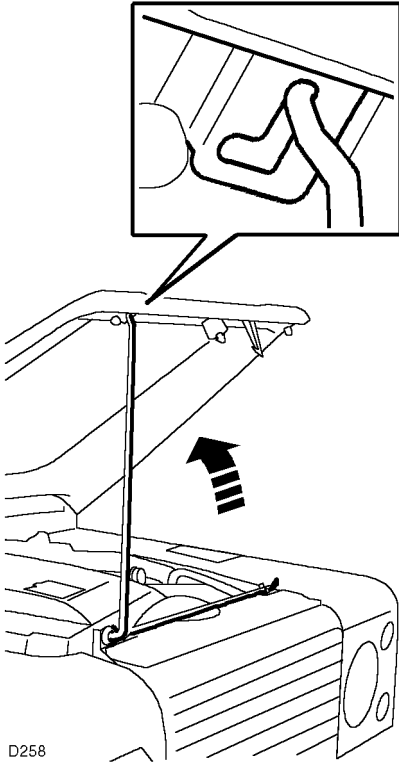


D060

Release the bonnet support stay from the underside of the bonnet and fit the stay in the corresponding hole in the bonnet locking platform.

Bonnet opening

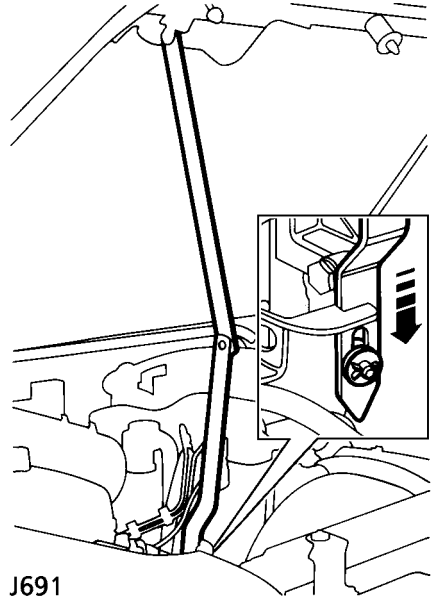
Prop stay (Td5 models)



D258

Unclip the stay from the bonnet locking platform and fit the stay in the corresponding slot in the underside of the bonnet.

Scissor action stay



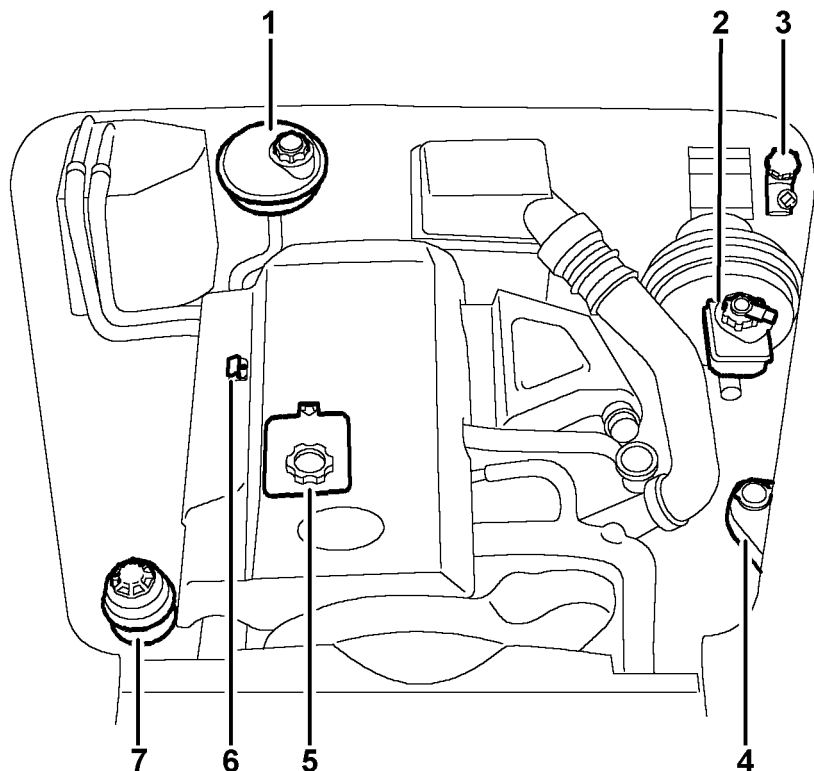
J691

Raise the bonnet until the stay fully extends. Release the bonnet, ensuring that the stay locks into position.

Closing the bonnet

After closing the bonnet, check that the lock is fully engaged by attempting to lift the front edge of the bonnet. This should be free from all movement.

Engine compartment



D259

Td5 - Left hand steering

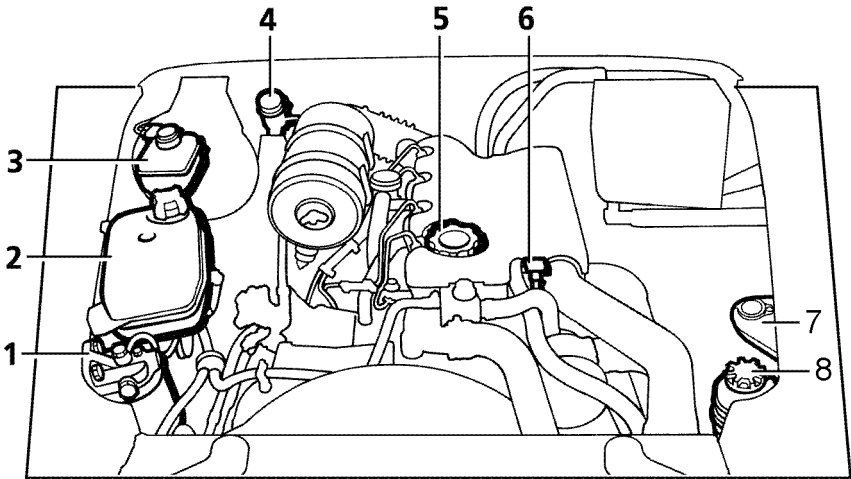
1. Cooling system reservoir.
2. Brake fluid reservoir.
3. Clutch fluid reservoir.
4. Washer reservoir.
5. Engine oil filler cap.
6. Engine oil dipstick.
7. Power steering reservoir.

NOTE: It will be necessary to remove the access flap before topping up the engine oil.

WARNING

Ensure that sparks and naked lights are kept away from the engine compartment.

Engine compartment



D061A

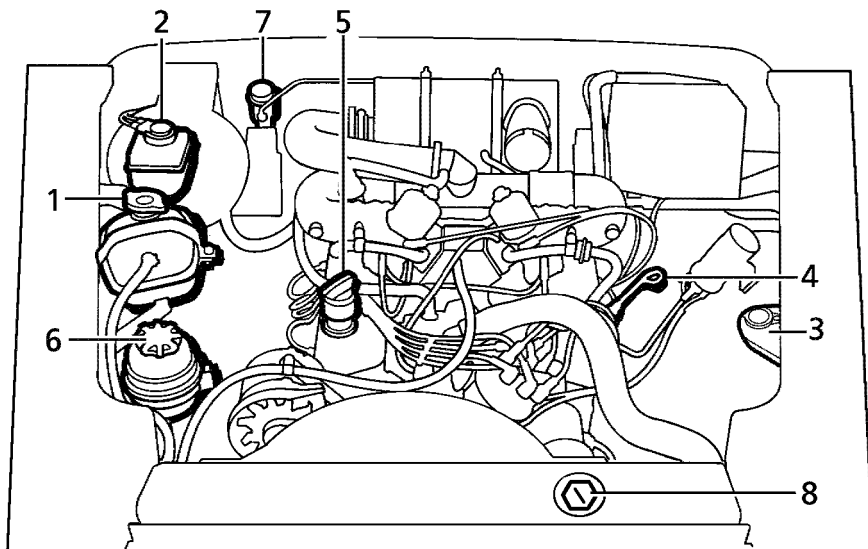
Tdi - Right hand steering (non-air conditioning)

1. Diesel fuel filter.
2. Cooling system reservoir.
3. Brake fluid reservoir.
4. Clutch fluid reservoir.
5. Engine oil filler cap.
6. Engine oil dipstick.
7. Washer reservoir.
8. Power steering reservoir.

WARNING

Ensure that sparks and naked lights are kept away from the engine compartment.

Engine compartment



D062B

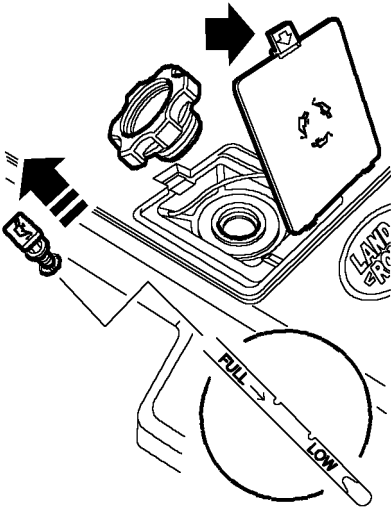
V8 - Right hand steering

1. Cooling system reservoir
2. Brake fluid reservoir.
3. Washer reservoir.
4. Engine oil dipstick.
5. Engine oil filler cap.
6. Power steering reservoir.
7. Clutch fluid reservoir.
8. Radiator filler plug.

WARNING

Ensure that sparks and naked lights are kept away from the engine compartment.

Engine compartment



D266

Td5 diesel engine

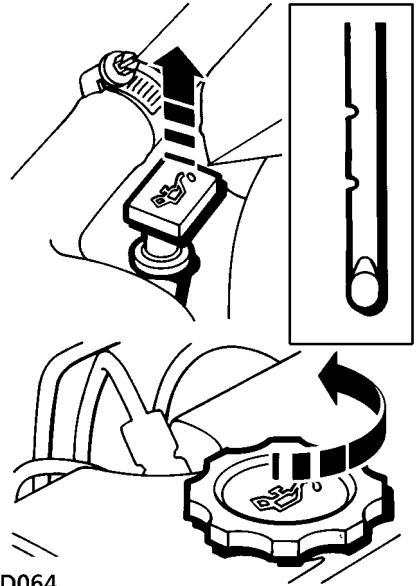
ENGINE OIL LEVEL-CHECK & TOP-UP

Check the oil level at least every 400 km (250 miles) when the engine is HOT and with the vehicle resting on level ground.

Switch off the engine and let the vehicle stand for five minutes to allow the oil to drain back into the sump. Withdraw the dipstick and wipe the blade clean and then fully reinsert the dipstick and withdraw again to check the level, which should NEVER be allowed to fall below the lower mark on the dipstick.

To top-up, unscrew the oil filler cap and add oil to maintain the level between the UPPER and LOWER marks on the dipstick.

NOTE: On Td5 models, it is necessary to remove the access flap before topping-up - lift the release tab (see illustration).



D064

Tdi diesel engine

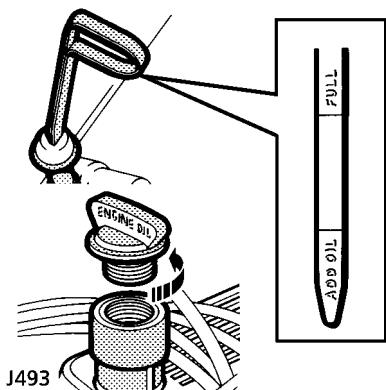
DO NOT OVERFILL!

As a general guide, if the level on the dipstick:

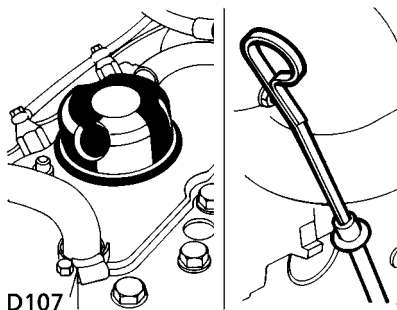
- is nearer to the upper mark than the lower, add no oil.
- is nearer to the lower mark than the upper, add half a litre of oil.
- is below the lower mark, add one litre of oil and re-check the level after a further five minutes.

NOTE: If it is necessary to check the oil level when the engine is cold, DO NOT start the engine. Follow the procedure detailed above, but re-check the oil level as soon as the engine has reached its normal operating temperature.

Engine compartment



V8 petrol engine



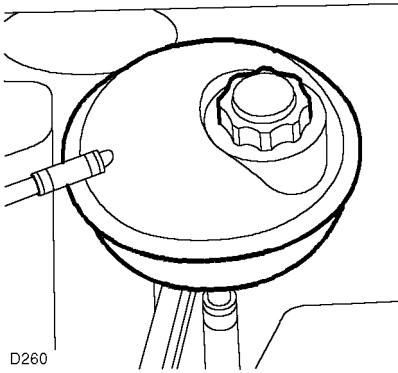
4-cylinder petrol engine

Oil specifications

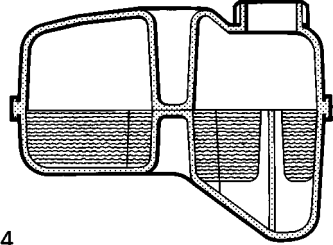
It is essential to use an oil suitable for the climatic conditions in which the vehicle is to be operated. Precise specifications are shown in 'General data'. If in doubt, contact your Land Rover dealer.

Engine compartment

Td5 diesel engine



Tdi diesel, V8 & 4-cyl petrol engines



COOLING SYSTEM TOP-UP

WARNING

The coolant level in the reservoir should be checked at least weekly (more frequently in high mileage or arduous operating conditions). Always check the level WHEN THE SYSTEM IS COLD.

Never run the engine without coolant.

NEVER remove the filler cap or radiator filler plug when the engine is hot - escaping steam or scalding water could cause serious injury.

Unscrew the filler cap slowly, allowing the pressure to escape before removing completely.

Top-up with a 50% mixture of anti-freeze and water so that the surface of the coolant is level with the seam on the side of the tank. Ensure the cap is tightened fully after top-up is completed.

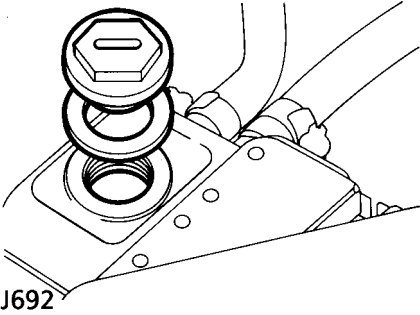
DO NOT overfill. This may result in damage to the radiator.

If the level has fallen appreciably, suspect leakage or overheating and arrange for your dealer to examine your vehicle.

NOTE: *On V8 models, in addition to checking the level on the tank, the radiator may need topping-up - consult the procedure on the following page.*

Engine compartment

V8 models



On V8 models, as well as removing the reservoir cap, carefully unscrew the radiator filler plug (illustrated above), allowing pressure to escape before removing completely.

Top the radiator up, if necessary, with a 50% mixture of anti-freeze and water to maintain the level at approximately 12 mm (0.5 in) below the radiator filler neck. Ensure the plug is tightened fully after top-up is completed.

DO NOT OVERFILL!

Anti-freeze

Anti-freeze contains important corrosion inhibitors. Ensure the 50% anti-freeze/water solution is maintained and topped up all year round (not just in cold conditions). Failure to do so may cause corrosion of the radiator and engine components.

The specific gravity of a 50% anti-freeze solution at 20° C (68° F) is 1.075 and protects against frost down to -36° C (-33° F).

Use **ONLY** ethylene glycol based anti-freeze (containing no methanol) with Organic Acid Technology (OAT) corrosion inhibitors.

In an emergency - and only if this type of anti-freeze is unavailable - top-up the cooling system with clean water, but be aware of the resultant reduction in frost protection. **DO NOT** top-up or refill with conventional anti-freeze formulations. If in doubt, consult a Land Rover dealer.

WARNING

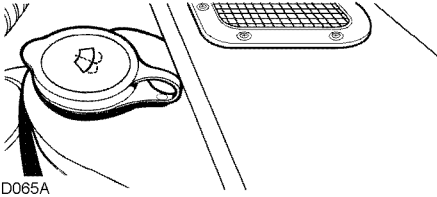
Anti-freeze is poisonous and can be fatal if swallowed. If accidental consumption of anti-freeze is suspected, seek medical attention immediately.

Prevent anti-freeze coming in contact with the skin or eyes. If this occurs, rinse immediately with plenty of water.

Anti-freeze will damage painted surfaces.

NEVER top-up with salt water. Even when travelling in territories where the water supply contains salt, always ensure you carry a supply of fresh (rain or distilled) water.

Engine compartment



WINDSCREEN WASHER TOP-UP

The windshield washer reservoir also supplies the rear screen.

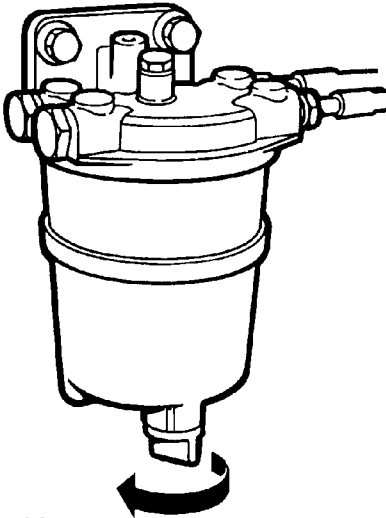
Check the reservoir level and top-up with a mixture of water and an approved screen washer solvent to approximately 25 mm (1 in) below the bottom of the filler neck. In cold weather, to prevent freezing, use a screen washer solvent containing isopropanol.

Operate the washer switches to check that the nozzles are clear and properly directed.

WARNING

DO NOT use an anti-freeze solution in the washer reservoir. Anti-freeze will damage painted surfaces.

Engine compartment



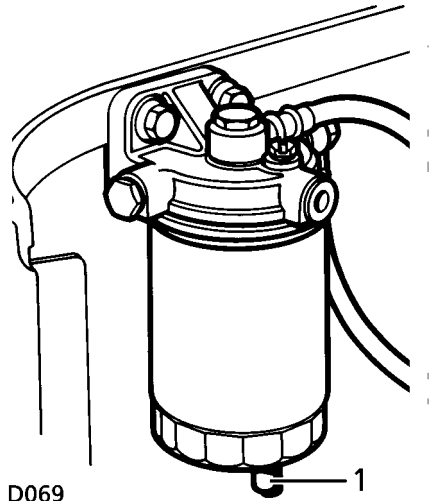
J739

FUEL SEDIMENTER - Tdi diesel engines (if fitted)

The sedimenter is located on the chassis side member, near the rear wheel.

To drain:

Slacken off the drain plug (arrowed in illustration), to allow any water to drain off. Retighten the plug as soon as pure diesel is emitted.



D069

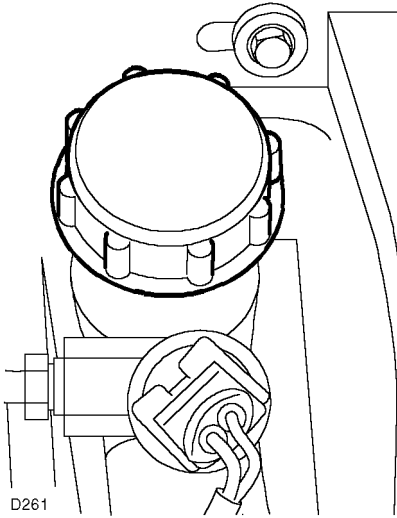
FUEL FILTER - Tdi diesel engines

The filter is located at the front of the engine compartment.

To drain:

Slacken off the drain plug (1), to allow any water to drain off. Retighten the plug as soon as pure diesel is emitted.

Engine compartment



WARNING

Clutch fluid will damage painted surfaces; soak up any spillage with an absorbent cloth immediately and wash the area with a mixture of car shampoo and water.

Take care not to spill fluid onto a hot engine - a fire may result.

Clutch fluid is highly toxic - keep containers sealed and out of reach of children. If consumption of fluid is suspected, seek medical attention immediately.

If clutch fluid should come into contact with the skin or eyes, rinse immediately with plenty of water.

CLUTCH FLUID TOP-UP

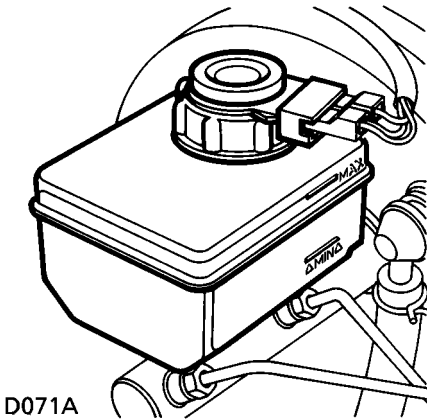
Wipe the filler cap before removing, to prevent dirt from entering the reservoir. Check the fluid level and top up if necessary, maintaining the level approximately 10 mm below the top of the reservoir, using fluid meeting *FMVSS 116 DOT 4* specification. Ensure dirt does not enter the reservoir while filling.

Use only new fluid from a sealed container (old fluid from opened containers, or fluid previously bled from the system must NOT be used).

DO NOT OVERFILL!

If significant topping up is required, a leak is indicated - consult your dealer immediately.

Engine compartment



D071A

WARNING

Contact your dealer immediately if brake travel is unusually long or if there is any appreciable drop in brake fluid.

BRAKE FLUID CHECK

The fluid level will fall slightly during use as a result of brake pad wear, but should not be allowed to fall below the 'MIN' mark. Any substantial drop in fluid indicates a leak in the system, in which case the vehicle must NOT be driven and you should contact your dealer.

With the vehicle on level ground, check the fluid level at least every week (more frequently in high mileage or arduous operating conditions). Check the level visually through the side of the transparent container without removing the filler cap.

Topping-up

Wipe the filler cap clean before removing to prevent dirt from entering the reservoir, then top up to the 'MAX' mark using FMVSS 116 DOT 4 fluid.

Use only new fluid from an airtight container (old fluid from opened containers, or fluid previously bled from the system must NOT be used).

DO NOT OVERFILL!

WARNING

DO NOT drive the vehicle with the fluid level below the 'MIN' mark.

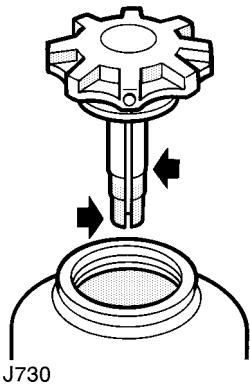
Brake fluid will damage painted surfaces; soak up any spillage with an absorbent cloth immediately and wash the area with a mixture of car shampoo and water.

Take care not to spill fluid onto a hot engine - a fire may result.

Brake fluid is highly toxic - keep containers sealed and out of the reach of children. If consumption of fluid is suspected, seek medical attention immediately.

If brake fluid should come into contact with the skin or eyes, rinse immediately with plenty of water.

Engine compartment



POWER STEERING TOP-UP

ONLY check the fluid level with the engine switched off and the system cold, and ensure that the steering wheel is not turned after stopping the engine.

Wipe the filler cap to prevent dirt from entering the reservoir.

Remove the filler cap and, using a lint-free cloth, wipe the dipstick clean. Refit the cap fully and remove it again to check the fluid level. Ensure the fluid level is between the UPPER mark and the end of the dipstick. If necessary, top up with a fluid meeting *Dexron II D* or *Dexron II E/III* specification, ensuring no dirt enters the reservoir.

DO NOT fill above the UPPER mark on the dipstick.

NOTE: *The colour of the specified power steering fluid may differ from that used to fill the system during manufacture. This is not cause for concern.*

Emergency operation

Any large or sudden drop in the fluid level must be investigated by a qualified dealer.

If it can be established that fluid loss is slow, then the reservoir may be topped up to the upper level mark to enable the vehicle to be driven to the nearest dealer for examination.

If the fluid level has dropped below the lower level mark, top-up the reservoir before starting the engine, or damage to the steering pump could result.

WARNING

Power steering fluid is highly toxic - keep containers sealed and out of the reach of children. If consumption of power steering fluid is suspected, seek medical attention immediately.

If power steering fluid should come into contact with the skin or eyes, rinse immediately with plenty of water.

Do not spill power steering fluid onto a hot engine - a fire may result.

Power steering fluid will damage painted surfaces: Soak up any spillage with an absorbent cloth immediately and wash the area with a mixture of car shampoo and water.

WARNING

Never drive your vehicle if the tyres are badly worn, cut or damaged, or if the pressures are incorrect.

Incorrectly inflated tyres wear rapidly and seriously affect the vehicle's safety and road handling characteristics.

Caring for your tyres

Always drive with consideration for the condition of the tyres and frequently inspect the tread and side walls for signs of distortion or damage (in particular, look for lumps, cuts and bulges).

Tyre pressures

Tyre pressures should be checked at least once a week with normal road use, but should be checked DAILY if the vehicle is used off-road.

Check the pressures - including the spare - when the tyres are cold (air pressure naturally increases in warm tyres). The recommended pressures are shown in 'General data'.

WARNING

If the vehicle has been parked in strong sunlight or is used in high ambient temperatures, DO NOT reduce tyre pressures; instead, move the vehicle into shade and allow the tyres to cool before checking.

Tyre wear

Some tyres fitted as original equipment have wear indicators moulded into the tread pattern. When the tread has worn down to 1.6 mm (1/16 in) the indicators start appearing at the surface of the tread pattern, producing the effect of a continuous band of rubber across the width of the tyre.

A tyre **MUST** be replaced as soon as an indicator band becomes visible or the tread depth reaches the minimum permitted by legislation.

Tread depth must be checked regularly (at every maintenance service, or more frequently). Always replace a tyre before the tread reaches a remaining depth of 1.6 mm (1/16 in). **DO NOT** drive with tyres worn to this limit, the safety of the vehicle and its occupants will be adversely affected.

NOTE: *After off-road use, check to make sure there are no lumps or bulges in the tyres or exposure of the ply or cord structure.*

Valve caps

Keep the valve caps screwed down firmly to prevent dirt from entering the valve.

Replacement tyres

Wheel rims and tyres are matched to suit the handling characteristics of the vehicle. For safety, **ALWAYS** check that replacement tyres comply with the manufacturer's original specification and that the load rating shown on the side wall is the same as that of the original equipment for a particular territory. Contact your Land Rover dealer for further information or assistance.

Tyres

WARNING

ALWAYS use the same make and type of radial-ply tyres front and rear. DO NOT use cross-ply tyres, or interchange tyres from front to rear.

- *If the wheel is marked 'TUBED' an inner tube MUST be fitted, even with a tubeless tyre.*
 - *If the wheel is marked 'TUBELESS', an inner tube must NOT be fitted.*
-

NOTE: Tyre sizes and pressures are shown in 'General data'.

WARNING

Do not replace wheels with any type other than genuine Land Rover parts.

Wheels and tyres are designed for both off-road and on-road use and have a very important influence upon the correct operation of the suspension system and vehicle handling.

Alternative wheels which do not meet original equipment specifications should not be fitted.

Snow chains

Land Rover approved snow chains are designed for on-road use in extreme snow conditions only, and are not recommended for off-road use. Always observe the following recommendations:

- ONLY Land Rover approved chains may be fitted to the front wheels, or fitted to all four wheels. Non-approved chains can be fitted to the rear wheels ONLY.
- Ensure the gearbox differential is locked.
- Always adhere to the snow chain fitting and retensioning instructions and the speed limit recommendations for varying road conditions. Never exceed 30 mph (50 km/h).
- Avoid tyre damage by removing snow chains as soon as the road is free of snow.

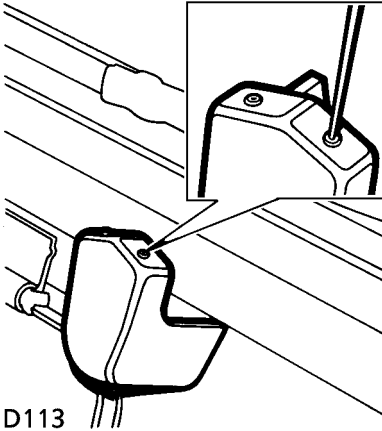
NOTE: Snow chains are not available for 265/75 R16 tyres.

For more information or assistance, consult your Land Rover dealer.

WARNING

DO NOT fit unapproved snow chains to the front wheels - this could damage brake components.

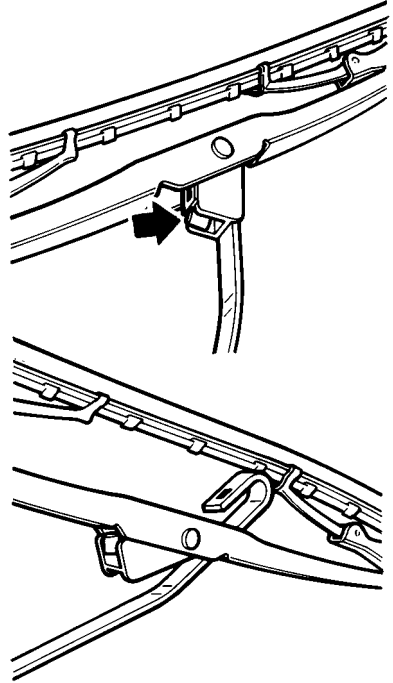
Washer jets & wiper blades



D113

WASHER JETS

To adjust a washer jet, insert a needle into the jet orifice (see inset) and lever gently to position the jet.



D096

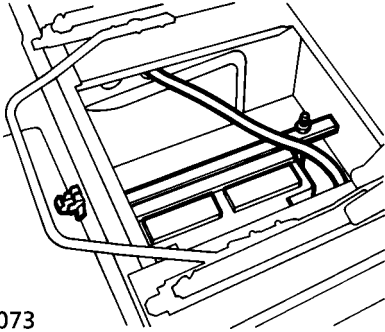
WIPER BLADE REPLACEMENT

To renew a windscreen or rear screen wiper blade, lift the wiper arm away from the windscreen, press the retaining clip (arrowed in illustration), push the blade away from the arm and then unhook the wiper blade.

Locate the new blade assembly on the arm, hook it to the swivel bracket and push into engagement until the blade is retained by the clip.

Always fit wiper blades that are identical to the original specification.

Battery



D073

The battery is located underneath the left-hand front seat. Pull up the front of the seat base to release it from its retaining clips and pull it forward. Release the buckle on the front of the battery compartment and slide off the lid.

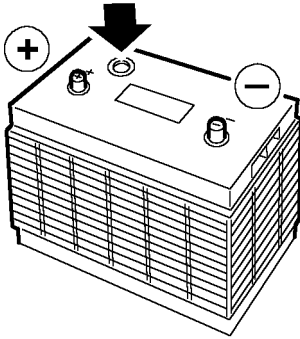
When refitting the seat base, insert the rear of the base first and then push down firmly to re-engage the retaining clips - ENSURE the seat base is secure before driving.

WARNING

Batteries contain sulphuric acid, which is both corrosive and poisonous. If spillage occurs:

- *On clothing or the skin - remove any contaminated clothing immediately, flush the skin with large amounts of water and seek medical attention urgently.*
- *In the eyes - flush with clean water immediately for at least 15 minutes. Seek medical attention urgently.*
- *Swallowing battery acid can be fatal unless immediate action is taken - seek medical attention urgently.*
- *During normal operation batteries emit explosive hydrogen gas - ensure sparks and naked lights are kept away from the battery compartment.*
- *For your safety, remove all metal wrist bands and jewellery before working in the battery compartment and NEVER allow the battery terminals or vehicle leads to make contact with tools or metal parts of the vehicle.*

Battery



D265

BATTERY MAINTENANCE

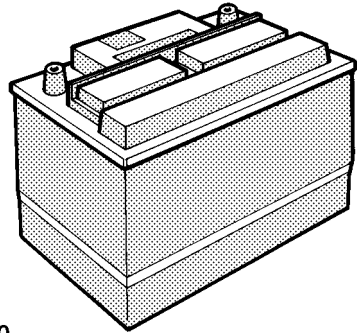
Td5 models

The battery is designed to be maintenance free, so topping-up is not possible. On the top of the battery there is a battery condition indicator (arrowed in illustration). Examine the indicator periodically to check the battery's condition. When the indicator shows:

- GREEN - the battery is in a good state of charge.
- DARK (turning to black) - the battery needs charging.
- CLEAR (or light yellow) - the battery must be replaced. Do not charge the battery or jump start the vehicle in this condition.
- If the green dot is missing, the battery needs charging.

NOTE: When checking the battery condition indicator, if necessary, clean the battery top to ensure a clear view. Use a torch if natural light is poor.

If the indicator shows clear or yellow, tap the indicator with the handle of a screwdriver to disperse any air bubbles. If the indicator colour is unchanged, the battery must be replaced.



J480

Tdi and petrol models

The battery fitted to your vehicle requires minimal attention as follows:

- In temperate climates check the electrolyte level once every 3 years. In hot climates check the level annually.
- Occasionally wipe the battery casing to remove dirt and grease.
- Keep the battery terminals clean and free from corrosion by occasionally smearing them with petroleum jelly.

Checking the electrolyte level

Gently prise off the vent covers (or unscrew if vent plugs are fitted) and inspect the electrolyte level of the centre cell. This should be no lower than 1 mm (0.04 in) above the top of the plates. If necessary, top up with distilled water to a maximum of 3 mm (0.12 in) above the plates.

Battery removal and replacement

Your vehicle may be fitted with a battery backed-up siren, which operates as an anti-theft siren if the main battery is disconnected.

If it is necessary to remove the main vehicle battery, it is **ESSENTIAL** to adopt the following procedure before disconnecting the terminals in order to prevent the siren from sounding:

- 1.** Turn the starter switch 'on' and then 'off'. Then remove the key.
- 2.** Disconnect the vehicle battery **WITHIN 15 SECONDS** (if it is not disconnected within 15 seconds, the back-up siren will sound immediately the battery terminals are disconnected).

ALWAYS disconnect the negative ('-') terminal first. When replacing, connect the positive ('+') terminal first.

If the siren sounds when the battery is reconnected, it **CANNOT** be turned off in the normal way (ie. by operating the handset buttons). To deactivate the siren, disarm the alarm system with the handset and turn the starter switch to position 'II'.

Battery

WARNING

To avoid damaging the vehicle's electrical system, ensure correct polarity when refitting the battery.

ONLY fit a replacement battery of the same type and specification as the original. Other batteries may vary in size and have different terminal positions, capable of creating a potential fire hazard if the terminals or leads were to come into contact with the battery clamp assembly.

DO NOT use a high speed battery charger as a starting aid.

DO NOT let the engine run without the battery connected.

Keep the battery upright at all times - damage will be caused if the battery is tilted more than 45° .

DO NOT charge the battery if it is suspected of being frozen.

On Td5 models DO NOT charge the battery if the battery condition indicator is clear or light yellow (see 'Battery maintenance').

On batteries fitted to Td5 models, take care not to cover the ventilation pipe on the side of the battery.

Battery charging

Batteries generate explosive gases, contain corrosive acid and produce levels of electric current sufficient to cause serious injury.

While charging, always heed the following precautions:

- Before charging, disconnect and remove the battery from the vehicle - charging the battery with the cables connected may damage the vehicle's electrical system. On non-Td5 models, ensure the battery is topped up to the correct level.
- Make sure the battery charger leads are securely clamped to the battery terminals BEFORE switching on the battery charger. Do not move the leads once the charger is switched on.
- While charging, shield your eyes or avoid leaning over the battery and keep the area around the top of the battery well ventilated.
- Do not allow naked lights near the battery (batteries generate inflammable hydrogen during and after charging).
- On Td5 models, the battery will be charged sufficiently once the battery condition indicator shows GREEN.
- When charging is finished, switch off the battery charger BEFORE disconnecting the leads from the battery terminals.
- After charging, leave the battery for an hour BEFORE reconnection to the vehicle - this will allow time for explosive gases to disperse, thereby minimizing the risk of fire or explosion.

Wheel changing

IMPORTANT INFORMATION

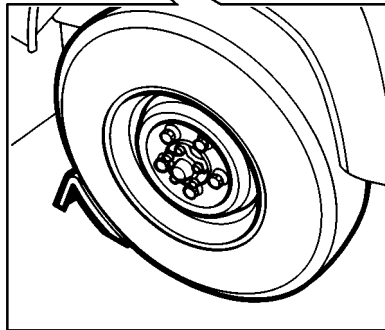
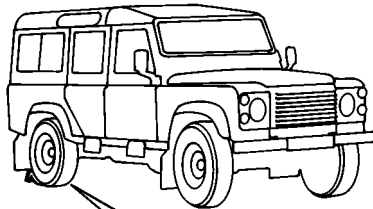
Before jacking the vehicle always observe the following precautions!

- Park your vehicle away from the thoroughfare, and make your passengers wait in a safe area AWAY from the vehicle.
- Switch on the hazard warning lights to alert other road users.
- ALWAYS engage the differential lock before jacking (warning light on fascia illuminates).
- Apply the handbrake and engage 1st gear in the main gear box and select 'L' in the transfer box. Turn off the starter switch and remove the key.
- NEVER jack the vehicle with passengers inside, or with a caravan or trailer connected!
- NEVER work beneath the vehicle with the jack as the only means of support. The jack is designed for wheel changing only!

Using the Wheel Chock

WARNING

Before raising the vehicle, it is ESSENTIAL to chock one of the road wheels; the handbrake acts on the transmission, not on the rear wheels, and therefore may not hold the vehicle when raised.



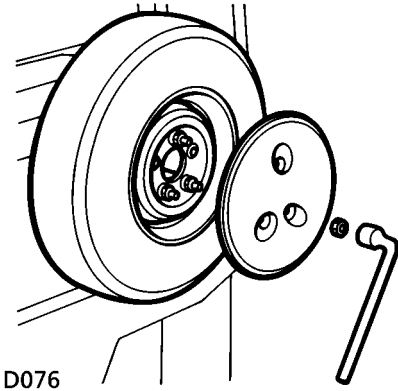
D074

WARNING

Always chock the wheel diagonally opposite the one to be removed - chocking the front of a front wheel or the back of a rear wheel, using the chock provided.

NOTE: The wheel chock is stowed in a compartment under the left-hand front seat (see 'Battery' for details of access).

Wheel changing



Removing the spare wheel

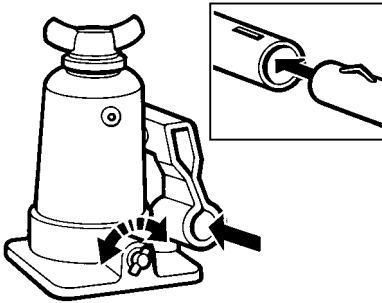
1. Remove the nuts securing the wheel cover (if fitted) using the wheel brace supplied in the tool kit.
2. Remove the nuts securing the spare wheel to the carrier and lift off the wheel.

WARNING

DO NOT use the spare wheel securing nuts in place of the road wheel nuts and vice versa.

The wheels are extremely heavy. Take care when lifting and particularly when removing the spare wheel from its mounting position on the bulkhead or rear door.

Wheel changing



D114

VEHICLE JACKING

One of two types of jack will have been supplied with your vehicle - either a bottle jack or pillar jack. The operation of each type differs greatly and it is important to read the appropriate operating instructions that follow.

The bottle jack (if fitted) is stowed in a compartment under the left-hand front seat (see 'Battery' for details of access). The jack handle and tools (or pillar jack - if fitted) are stowed in a bag behind the front seat in 'Pick-up' and 'Hard-top' models and under the bench seat in 'Soft-top' and 'Station Wagon' models.

Operating the bottle jack

Slot the jack lever together, ensuring that the spring clip protrudes from the engagement slot where the two parts join (see inset). Close the jack release valve by turning it fully clockwise and insert the lever into the socket where shown. Pump the lever up and down to raise the jack.

To lower the jack, withdraw the lever and slot the notched end over the the pegs on the release valve. Slowly turn the release valve anti-clockwise allowing the weight of the vehicle to lower the jack.

WARNING

Ensure the jack is positioned on firm, level ground.

DO NOT use the jack to raise the vehicle until you have carefully read and understood 'Positioning the jack' later in this section. If in doubt, consult your dealer.

Care must be taken to avoid accidental contact with any underbody parts, especially the hot exhaust system components, likely to cause personal injury during raising or lowering of the vehicle.

Ensure that the space under and around the vehicle is free from obstruction as it is lowered.

Wheel changing

Positioning the bottle jack

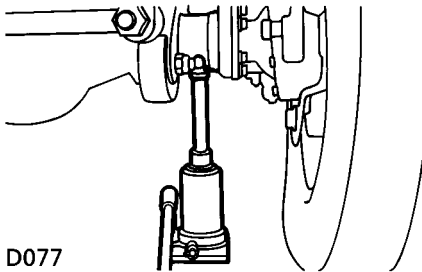
Always position the jack from the front or rear of the vehicle directly in line with the jacking points.

WARNING

NEVER use the jack from the side of the vehicle.

Always use the complete, two piece, jack lever throughout to minimise any accidental contact with a hot exhaust system.

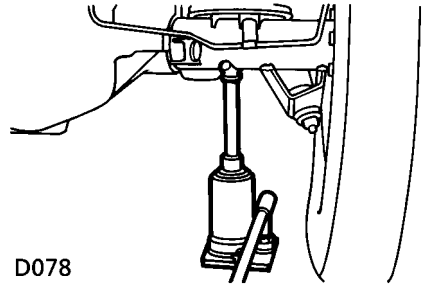
ONLY jack the vehicle using the jack location points described or damage to the vehicle could occur.



D077

Front jacking point:

Position the jack so that, when raised, it engages with the front axle casing immediately below the coil spring. The jack cradle must locate between the flange at the end of the axle casing and the large bracket to which the front suspension members are mounted.



D078

Rear jacking point:

Push the mud flap up over the tyre to allow clear access (return it to its correct position when the wheel change is complete). Position the jack so that, when raised, it engages with the rear axle casing immediately below the coil spring and as close as possible to the shock absorber mounting bracket.

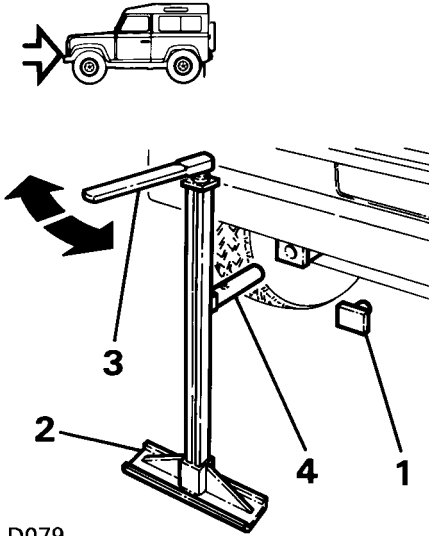
Care of the jack

Occasionally, clean and grease the moving parts (particularly the ram/pillar) to prevent rust.

The bottle jack oil level should be checked at normal servicing intervals and if necessary topped up with an hydraulic oil with a viscosity to BS 4231 grade 32 and ISO proof 32.

To avoid contamination, the bottle jack should always be returned to its fully closed position and must always be stowed upright.

Wheel changing



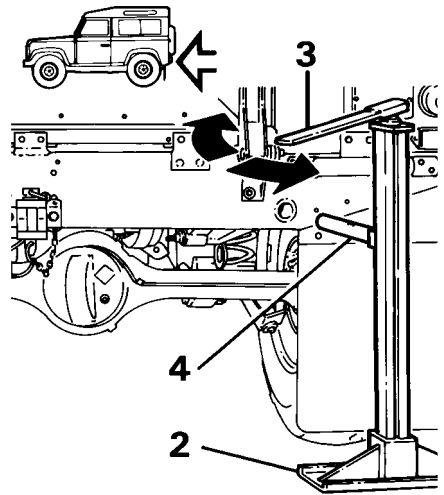
D079

Operating the pillar jack (if supplied)

For any wheel:

1. Remove the rubber plug (1) from the jacking tube corresponding to the wheel to be changed.
2. Insert the jack pillar into the base (2).
3. Fit the handle (3) to the pillar and adjust the height so the jacking peg (4) can be inserted into the jacking tube.

NOTE: The jack handle operates as a ratchet - one side raises the jack, then turn the handle over to lower the jack.



D080

WARNING

ENSURE that you are familiar with operating the jack **BEFORE** using it to raise a vehicle.

ONLY jack the vehicle using the jack location points described or personal injury or damage to the vehicle could occur.

DO NOT use the jack without the base fitted - the vehicle would not be properly supported and could cause personal injury.

ENSURE that the peg is **FULLY** engaged in the jacking tube.

ENSURE that the pillar is vertical **NOT** at an angle.

Wheel changing

Changing a wheel

Before raising the vehicle, ensure that all the precautions listed at the beginning of this section have been observed. Also, ensure that the wheel chock is correctly positioned, as described previously.

In some markets, vehicles fitted with alloy wheels have one locking wheel nut fitted to each wheel. Refer to 'Locking wheel nuts' later in this section before changing an alloy wheel.

- Use the wheel brace to slacken the wheel nuts half a turn anti-clockwise.
- Raise the vehicle until the tyre is clear of the ground, and remove the wheel nuts and wheel (DO NOT damage the surface of alloy wheels (if fitted) by placing them face down on the road).
- On vehicles fitted with alloy wheels, use an approved anti-seize compound to treat the wheel mounting spigot to minimise the tendency for adhesion between the wheel and the spigot. Ensure that no oil or compound comes into contact with the brake components. If, due to an emergency situation, this treatment is not practicable; refit the spare wheel for the time being, but remove and treat the wheel at the earliest opportunity.
- Fit the spare wheel and lightly tighten the wheel nuts, ensuring they are firmly seated. DO NOT fully tighten whilst the tyre is clear of the ground.

WARNING

When fitting a wheel, ensure that the mating faces of the hub and wheel are clean and free from rust - an accumulation of dirt or rust could cause the wheel nuts to become loose and result in an accident.

- Lower the vehicle and remove the jack and wheel chock.
- Fully tighten the wheel nuts. DO NOT OVERTIGHTEN by using foot pressure or extension bars on the wheel brace, as this could overstress the wheel studs.
- REMEMBER to disengage the differential lock and change to 'H' (high range) before driving.
- Finally, check the tyre pressure and wheel nut torque at the earliest opportunity, see 'General data'.

WARNING

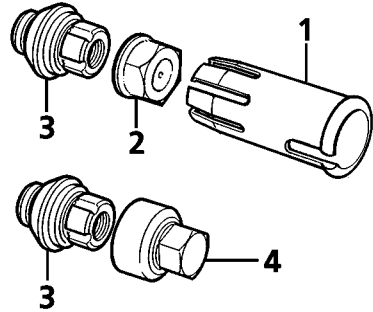
After wheel changing, always secure tools, chock, jack and spare wheel in their correct storage positions.

Wheel changing

LOCKING WHEEL NUTS

In some markets, vehicles fitted with alloy wheels are equipped with a locking wheel nut on each wheel. The locking wheel nut covers are visually very similar to standard wheel nuts but can be identified by a concave indent on the surface. The locking wheel nut and cover can only be removed using the special tools provided, as follows:

- Push the extractor tool (1) firmly over the stainless steel nut cover (2).
- Pull the extractor tool **squarely** away from the wheel to remove the nut cover and reveal the locking wheel nut (3).
- Fit the metal key socket (4) securely over the locking wheel nut (3).
- Fit the wheel nut wrench onto the key socket and unscrew the nut in the normal way.



J723

A code letter is stamped on the face of the key socket. Ensure the code letter is entered in the space provided on your Security Information card - you will need to quote this letter if replacement components are required. Keep the card in a safe place away from the vehicle.

For security reasons, store the key socket and extractor tool out of sight, in a secure place in the vehicle.

NOTE: *If the extractor tool has been inadvertently pushed onto a standard wheel nut, it can be removed ONLY by first undoing and removing the nut; slide the wheel nut wrench down the centre of the extractor and onto the wheel nut.*

Wading plugs

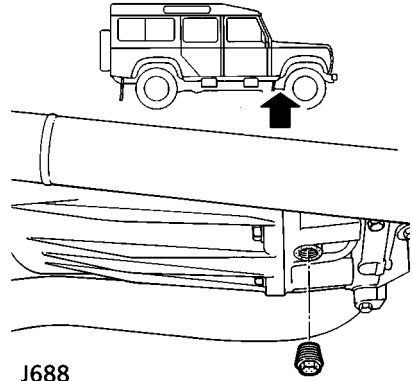
WADING PLUGS

WARNING

For safety, **DO NOT** work underneath the vehicle unless it is safely parked with the wheels chocked, or is supported by heavy duty stands.

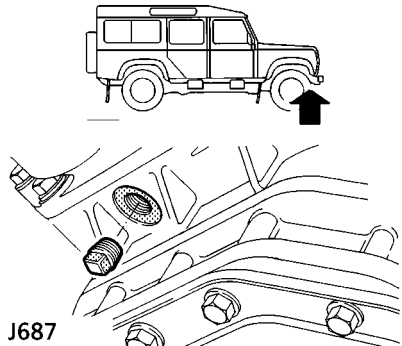
NOTE: On some models, to access the wading plugs, it will be necessary to remove the front and rear engine undertray access panels - see 'Engine undertray', in the 'Workshop maintenance' section of this handbook.

Under severe wading conditions, the timing cover and flywheel housing must be sealed to prevent the ingress of mud and water. Fit the plugs, supplied in the tool kit, as illustrated. Remove the plugs immediately after wading, or periodically if the vehicle is required to do prolonged wading or very muddy work.



J688

Flywheel housing - 300 TDi



J687

Engine front timing cover - 300 TDi

Fuses

Fuses are simple circuit breakers which protect electrical equipment by preventing the electrical circuits from being overloaded.

Always remove the starter key and switch off the affected circuit before removing a fuse.

Press the fuse extractor (located on the inside of the main fuse box cover) onto the head of the fuse and pull to remove. Fit a new fuse of the same rating. If the replacement fuse fails immediately, contact your local Land Rover dealer and have the circuit checked.

WARNING

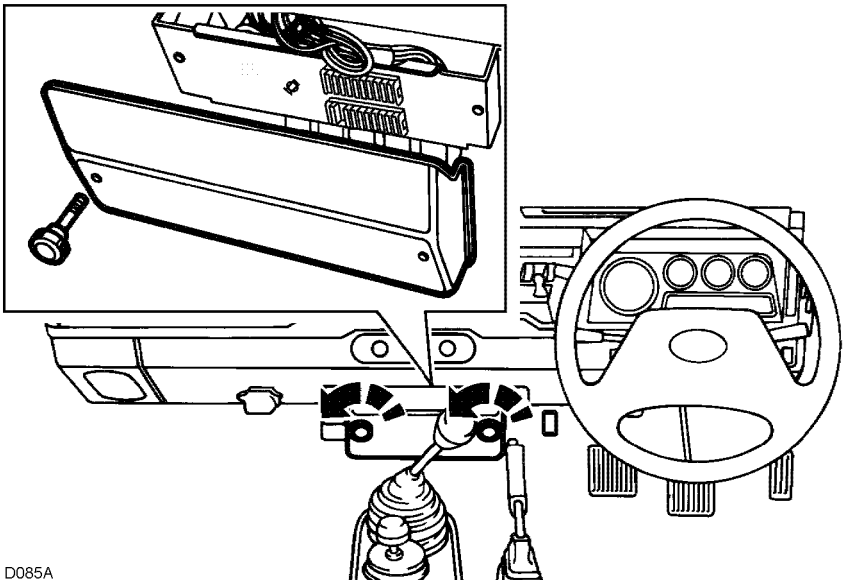
Fit only replacement fuses of the same rating and type. Always rectify the cause of a failure before replacing a fuse. Seek qualified assistance if necessary.

Fuses are colour coded to help identify their amperage, as follows:

TAN	5
RED	10
BLUE	15
YELLOW	20
GREEN	30 (air conditioned models only)

The main fuse box is fitted in the centre of the dashboard, in front of the main gear lever. Remove the cover by releasing the fixing screws.

A label in the fuse box cover shows the circuits protected, the fuse ratings and their locations. They are also listed on the following page.



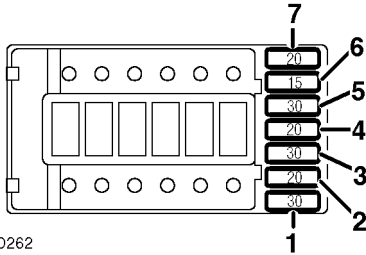
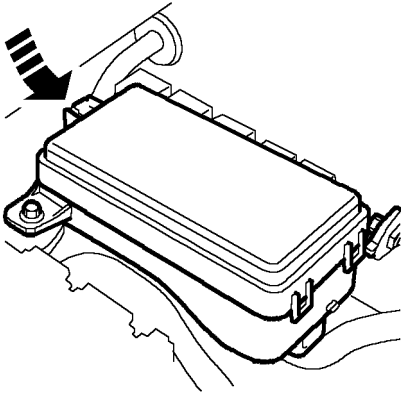
D085A

Fuses

MAIN FUSE BOX

Fuse No.	Value (amps)	Electrical circuit
1	20	Air conditioning
2	30	Air conditioning
3	5	Battery, diagnostics
4	10	Heated rear window, reverse and headlights, instruments, fuel feed
5	10	Brake lights, reverse lights
6	10	Immobilisation, engine feed
7	10	Anti-lock brakes
8	10	Hazards, wash/wipe - rear
9	15	Wash/wipe - front
10	10	Alarm
11	10	Alarm sounder
12	10	Rear fog guard light
13	10	Headlight - LH, main beam
14	10	Headlight - RH, main beam
15	10	Headlight - LH, dipped beam
16	10	Headlight - RH, dipped beam
17	5	Radio/cassette player
18	20	Cigar lighter, heater blower
19	10	Sidelights - RH
20	10	Sidelights - LH

Fuses



D262

Fuse No.	Value (amps)	Electrical circuit
1	20	ABS, engine
2	30	Trailer, interior light, accessory socket
3	30	Heated rear screen, horn
4	20	Fuel pump
5	30	Main relay, inertia switch
6	15	Alarm system
7	20	Hazards, interior light, radio cassette

SECONDARY FUSE BOX

The secondary fuse box is located under the right hand front seat (see 'Battery' for access procedure).

Press the catch (arrowed in illustration) to release the cover.

WARNING

Fit only replacement fuses of the same rating and type. Always rectify the cause of a failure before replacing a fuse. Seek qualified assistance if necessary.

NOTE: Owners are strongly advised against removing or replacing the fusible links identified on the underside of the fuse box lid as:

GLOW PLUG (100A), AIR CON (60A), SPARE (60A), ABS PUMP RELAY (30A), IGNITION (60A) AND LIGHTS (30A). Failure of any of these items should be investigated by a qualified dealer.

Bulb replacement

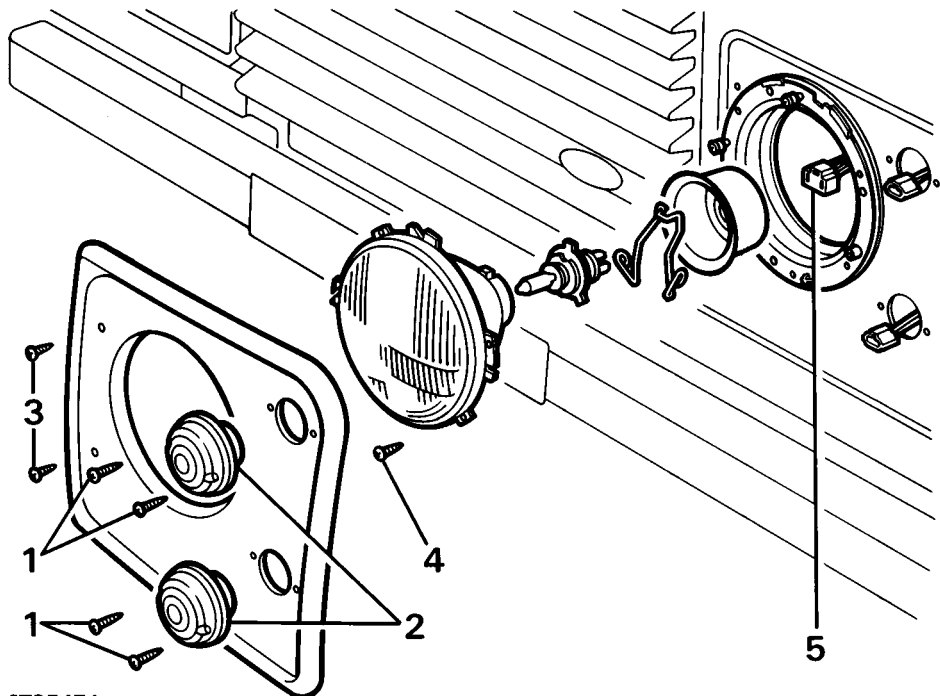
REPLACEMENT BULBS	Watts
Headlights	60/55 (Halogen H4)
Front side lights	5
Side repeater lights	5
Stop lights	21
High mounted stop light	21
Tail lights	5
Direction indicator lights	21
Number plate lights	4
Reversing lights	21
Rear fog guard lights	21
Interior lights	10

NOTE: All bulbs must be rated at 12 volts.

IMPORTANT INFORMATION

Before replacing a bulb, always switch off the starter switch and appropriate lighting switch to prevent any possibility of a short circuit. Only use new bulbs of the same type and with the same specification.

Bulb replacement



ST3547A

HEADLIGHT UNIT

Light unit removal

To replace the headlight bulb, remove the light unit as follows:

- Remove the screws (1) retaining the side and direction indicator lights (2), release them forward and disconnect the plugs.
- Remove the screws (3) and withdraw the plastic finisher.
- Remove the headlight retaining screw (4), rotate the headlight clockwise to disengage and lift out the headlight.

Bulb replacement

Headlight bulb

Disconnect the multi-plug (5) and remove the rubber cover. Unhook the spring clip and withdraw the bulb.

Replace the bulb (the larger of the three tabs uppermost) and secure the spring clip.

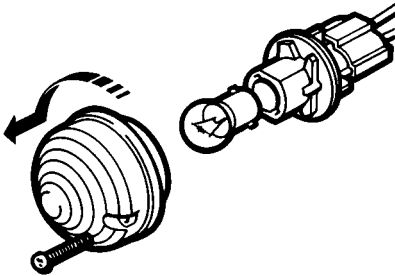
Replace the rubber cover, pressing the centre firmly to seal around the electrical contacts of the bulb, then refit the multi-plug.

NOTE: *Do not touch the bulb glass with your fingers. If necessary, clean the bulb with methylated spirits.*

WARNING

ALWAYS fit headlight bulbs and light units with the same Watt value as the original specification (see 'Replacement bulbs'). Fitting a higher rated bulb may result in damage to the 'dim-dip' system.

Bulb replacement



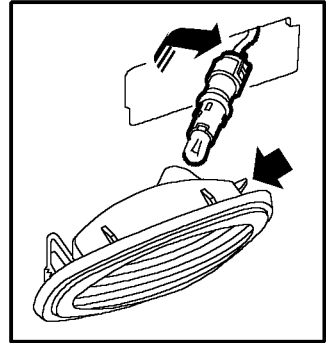
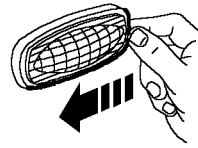
D087

Side, tail, stop and direction indicator bulbs

Remove the retaining screws and withdraw the unit.

Twist the lens anti-clockwise to release the bulb unit.

Push and twist the bulb to remove.



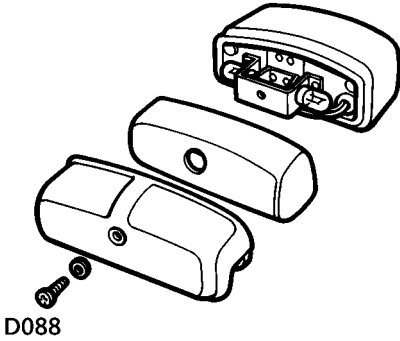
D264

Side repeater light

Push the lens firmly towards the front of the vehicle, lift the rear edge and withdraw the light unit from the wing.

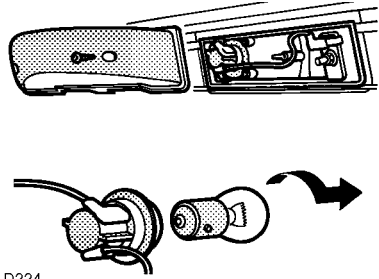
Twist the bulb holder to release and pull out bulb.

Bulb replacement



Number plate lights

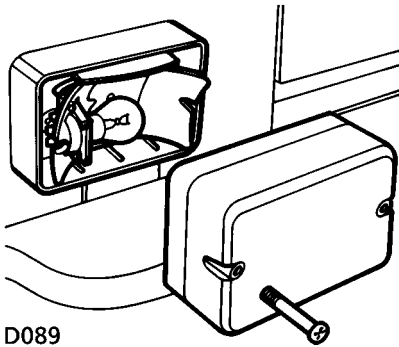
Remove the securing screw, remove the cover and pull out bulb.



D224

High mounted stop light

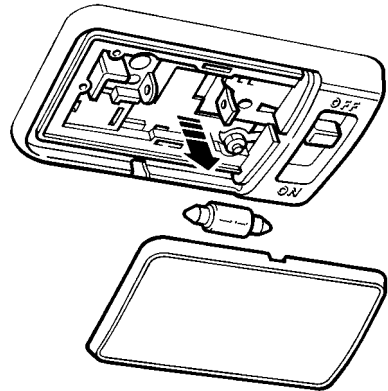
Remove the screws from the cover, withdraw the cover and twist to remove the bulb holder. Push and twist to release the bulb.



D089

Reverse and rear fog guard lights

Remove the retaining screws and withdraw the lens, then push and twist to release the bulb.



D090

Interior light

Prise the lens from the unit. Spread the bulb holders to release the bulb.

Cleaning & vehicle care

WASHING YOUR VEHICLE

Wash your vehicle frequently using a clean, grit free sponge and generous quantities of cold or lukewarm water containing a car shampoo. Rinse and dry off with a chamois leather.

- Do not use hot water!
- Do not use detergent soap products or washing-up liquid!

During winter months when salt has been used on the roads, use a hose to wash the underside of the vehicle. Pay particular attention to wheelarches and panel seams, and to removing accumulations of mud.

Similarly, after off-road driving or wading in muddy or salt water conditions, use a hose to wash underbody components and other exposed parts of the vehicle.

When using a hose, do not direct the jet into the Turbo air intake (if fitted), heater air intake ducts, or through the wheel trim apertures onto the brake components, or at the door, window or sunroof seals, where water pressure could penetrate the seals.

WARNING

Some high pressure cleaning systems are sufficiently powerful to penetrate door or window seals and damage rubbing strips and locking mechanisms. Never aim the water jet directly at components that might easily be damaged.

Steam cleaning

Before steam cleaning the engine compartment, cover the brake reservoir and power steering reservoir (if fitted) to prevent contamination. After steam cleaning, ensure that metallic components are carefully rewaxed, especially the steering column, engine water pipes, hose clips and the ignition coil clamp to prevent corrosion.

Getting rid of tar spots

Use white spirit to remove tar spots and stubborn grease stains from paintwork. Then wash immediately to remove all traces of spirit.

Body protection

After washing, inspect the paintwork for damage. Treat paint chips and scratches with touch-up paint to prevent corrosion, and occasionally protect the paint surface with an application of car polish.

Glass & mirrors

Clean the rear window with a soft cloth to avoid damaging the heating elements. DO NOT scrape the glass or use an abrasive cleaning fluid.

Mirror glass is particularly susceptible to damage - DO NOT use abrasive cleaning compounds or metal scrapers.

Cleaning & vehicle care

LOOKING AFTER THE INTERIOR

WARNING

DO NOT use water to clean the dashboard, damage to the fuses and switches could occur. Instead, clean sparingly with a damp cloth and approved upholstery cleaner.

- Clean plastic-faced or cloth covered surfaces with diluted upholstery cleaner.
- Steering wheel and trim features should be cleaned with a damp cloth moistened with undiluted upholstery cleaner. Leave for five minutes, and then repeat the operation using a clean cloth and water - but avoid flooding the area! Dry and polish the trim with a dry, lint-free cloth. DO NOT use petrol, detergents, furniture creams or polishes!
- Sweep carpets with a brush or vacuum cleaner and clean with diluted nylon upholstery cleaner.

Clock and radio

- Clean with a dry cloth only! DO NOT use cleaning fluids or sprays.

Seat belts

- Extend belts, then use warm water and a non-detergent soap to clean. Allow to dry naturally, and do not retract until completely dry.
- DO NOT bleach or dye the webbing.

RECOMMENDED CARE PRODUCTS

(Available in the UK)

De icer	STC 717
Alloy wheel cleaner	STC 718
Glass cleaner	STC 719
Shampoo	STC 722
Wax polish	STC 723
Screen wash	STC 8249

SECTION 5

Workshop maintenance

Section Contents	Page
Workshop maintenance	125
Engine undertray	129
Engine oil renewal	132
Engine oil filter renewal	133
Fuel filter renewal	134
Fuel sedimenter cleaning	136
Air cleaner element renewal	137
Spark plug check/renewal	140
Ignition wiring & HT lead check	140
Distributor	141
Drive belts	142
Main gearbox oil renewal	150
Transfer gearbox oil renewal	151
Axle oil renewal	152
Brake pad/disc check	153
Handbrake check/adjustment	154
Propeller shaft lubrication	154

Workshop maintenance

WORKSHOP MAINTENANCE

This section covers workshop maintenance for the V8 and Tdi engines only. Maintenance of Td5 and 4-cylinder petrol models should be referred to a qualified dealer.

It is recommended that the maintenance procedures covered in this section of the handbook, should only be carried out by qualified personnel in a fully equipped workshop; preferably an authorised Land Rover dealer. However, if the vehicle is being operated in a remote area, where full workshop facilities are not available, some maintenance can be carried out, provided that it is completed in safe conditions by experienced personnel.

WARNING

DO NOT carry out any maintenance in dusty, damp or dirty conditions.

NOTE: *Some of the servicing procedures require specialised knowledge and equipment, and therefore MUST be carried out by a qualified person, familiar with the maintenance and safety procedures practised by Land Rover dealers. These NECESSARY procedures are NOT covered in this handbook and should be referred to a Land Rover dealer.*

Servicing schedules

In normal operating conditions, servicing should be carried out at intervals of 10,000 km (6,000 miles) or every six months, whichever is sooner.

IMPORTANT INFORMATION

Special operating conditions

When a vehicle is operated in extremely arduous conditions, or on dusty, wet or muddy terrain, more frequent attention must be paid to servicing requirements.

For example; if your vehicle experiences deep wading conditions, even DAILY servicing could be necessary to ensure the continued safe and reliable operation of the vehicle.

Contact a Land Rover dealer for advice.

Workshop maintenance

Emission control

Your vehicle is fitted with various items of emission control equipment, designed to meet specific territorial requirements.

You should be aware that unauthorised replacement, modification or tampering with this equipment by an owner or motor vehicle repairer, may be unlawful and subject to legal penalties.

In addition, engine settings must NOT be tampered with. These have been established to ensure that your vehicle complies with stringent exhaust emission regulations. Incorrect engine settings may adversely affect exhaust emissions, engine performance and fuel consumption, as well as causing high temperatures, which will result in damage to the catalytic converter (if fitted) and the vehicle.

Replacement parts

It is essential that only Land Rover parts are used, safety features embodied in the vehicle may be impaired if other, non-approved parts are used. In certain territories, legislation prohibits the fitting of parts not to the manufacturer's specification.

WARNING

The fitting of parts of inferior quality, or the carrying out of non-approved alterations or conversions, may be dangerous and could affect the safety of the vehicle and occupants. It could also invalidate the terms and conditions of the vehicle warranty.

Road testing on dynamometers (‘rolling roads’)

WARNING

Because your vehicle is equipped with permanent four-wheel drive, it is essential that any dynamometer testing is carried out ONLY by a qualified person, familiar with the dynamometer testing and safety procedures practised by Land Rover dealers. Contact your Land Rover dealer for further information.

Workshop maintenance

SAFETY IN THE GARAGE

Whenever you carry out maintenance on your vehicle, the following safety precautions should be observed at all times.

- ALWAYS keep hands, tools and items of clothing clear of all drive belts and pulleys whilst they are in operation.
- DO NOT touch exhaust or cooling system components until they are cool.
- DO NOT touch electrical leads or components with the starter switch turned on.
- NEVER leave the engine running in an unventilated area; exhaust gases are poisonous and contain carbon monoxide, which can cause unconsciousness and can be fatal.
- DO NOT work beneath the vehicle with the lifting jack as the only means of support.
- Ensure sparks and naked lights are kept away from the engine and battery compartments.
- DO NOT use any lubricants, solvents or sealants etc, without first reading any warnings and instructions supplied with these substances; they could be harmful if improperly used.

WARNING

Remember, cooling fans and air conditioning system condenser fans (if fitted), may continue to operate after the engine is switched off. Always wait until the fans have completely stopped moving before working in the engine compartment.

Fuel system safety

Fuel vapour is highly flammable and in confined spaces, is also very explosive and toxic. When fuel evaporates, it produces 150 times its own volume in vapour and when mixed with air, becomes an easily ignitable mixture; consequently even a small spillage is very dangerous.

It is recommended that you always have a FOAM, CO₂ GAS, or POWDER type fire extinguisher close at hand when working with fuel or the fuel system.

ALWAYS disconnect the battery negative lead BEFORE carrying out work on the fuel system.

WARNING

Under no circumstances should any part of the fuel system be dismantled or replaced by anyone other than a suitably qualified motor vehicle technician. Failure to comply with this instruction may result in fuel spillage with a consequent serious risk of fire.

It is imperative that the battery is disconnected BEFORE and not during any work on the fuel system, as arcing at the battery terminal could ignite fuel vapour in the atmosphere.

Whenever fuel is being handled, transferred or stored, or when carrying out work on the fuel system, all forms of ignition MUST be extinguished or removed, any lighting being used MUST be flameproof and kept clear of the fuel.

Workshop maintenance

Poisonous liquids

Most liquids and lubricants used in motor vehicles are poisonous and should not be consumed or brought into contact with open wounds. These include; battery acid, anti-freeze, brake, clutch and power steering fluid, as well as petrol, diesel, engine oil and windscreen washer additives.

For your own safety, ALWAYS read and obey all instructions printed on labels and containers.

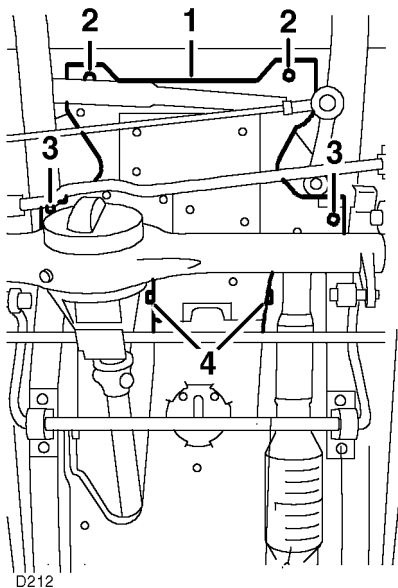
Used engine oil

Prolonged contact with engine oil can cause serious skin disorders, including dermatitis and skin cancer. ALWAYS wash thoroughly after contact.

It is illegal to pollute drains, water courses or soil with toxic chemicals such as used engine oil. ALWAYS dispose of vehicle liquids and lubricants at authorised waste disposal sites, or at garages which provide facilities for the receipt of discharged batteries, used engine oil and toxic chemicals. If in doubt, contact your Local Authority for advice.

PROTECT THE ENVIRONMENT!

ENGINE UNDERTRAY



- Remove the four bolts securing the propeller shaft to the front axle and reposition the shaft to prevent it from fouling the undertray during removal.
- Remove the two bolts (2) securing the undertray to the front crossmember.
- Remove the two nuts (3) securing the undertray to the bump stop front fixing bolts, on either side of the vehicle.
- Remove the two bolts (4) securing the front and rear undertray together.
- Lower the undertray until it clears the steering box and pull rearwards over the axle to remove.

Refitting the undertray is the reverse of the removal procedure, but take care to ensure that the flanges of the undertray are properly located in the rear undertray. Tighten the bolts (2, 3 & 4) to a torque rating of 14 Nm (10lbf/ft). Tighten the bolts securing the propeller shaft to the front axle to a torque rating of 47 Nm (35 lbf/ft).

Undertray removal

Front section:

The front undertray (1) can be removed to gain access to the engine oil filter.

- Raise the vehicle on a ramp and position a suitable support under the chassis front crossmember.
- Lower the ramp slightly to improve clearance between the axle and the undertray.

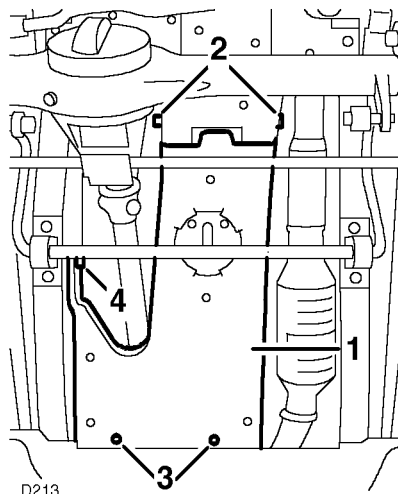
Workshop maintenance

Undertray removal

Rear section:

The rear undertray (1) can be removed to enable access to the gearbox drain and filler level plugs.

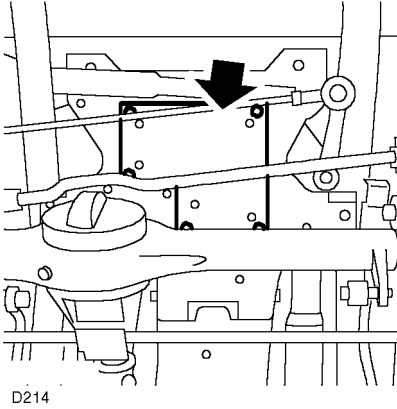
- Raise the vehicle on a ramp.
- Remove the two bolts (2) securing the rear and front undertray together.
- Remove the two bolts (3) securing the rear undertray to the chassis crossmember.
- Remove the bolt (4) securing the undertray to the right hand side of the chassis.
- Pull the undertray rearwards to disengage from the front undertray and remove.



Refitting the undertray is the reverse of the removal procedure, but take care to ensure that the flanges of the front undertray are properly located. Tighten the bolts (2, 3, & 4) to a torque rating of 14 Nm (10 lbf/ft).

Workshop maintenance

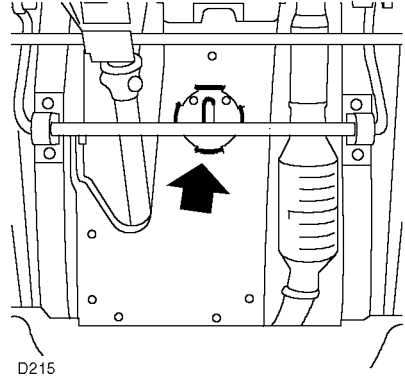
UNDERTRAY ACCESS PANELS



Front:

The front access panel can be removed in order to fit the engine timing cover wading plug.

- Remove the five bolts securing the front access panel to the undertray and withdraw the panel.
- When refitting the access panel, tighten the bolts to a torque rating of 14 Nm (10 lbf/ft).



Rear:

The rear access panel can be removed in order to fit the flywheel housing wading plug and to access the engine oil drain plug.

- Rotate the panel anti-clockwise to disengage the locking flanges, then withdraw the panel from the undertray.

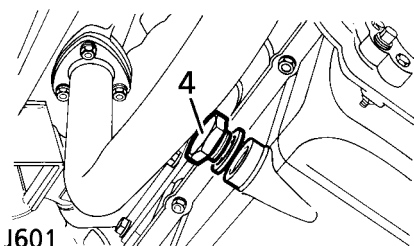
Workshop maintenance

ENGINE OIL RENEWAL (all engines)

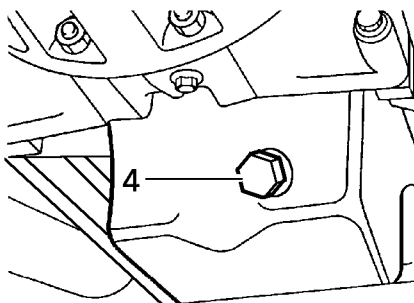
NOTE: For engine oil check & top-up see 'Owner maintenance'.

WARNING

DO NOT attempt to drain the engine sump if the engine has been running for some time, the engine oil will be hot and may cause severe scalding.



V8 engine



Tdi engine

NOTE: On some models, to access the engine oil drain plug, it will be necessary to remove the rear undertray access panel - see 'Engine undertray', earlier in this section.

With the vehicle resting on firm, level ground, run the engine for a few minutes so that the oil will drain more easily. Turn the starter switch to position '0' and disconnect the battery negative lead.

Remove the oil filler cap and position a suitable container under the oil drain plug (4) to collect the used oil.

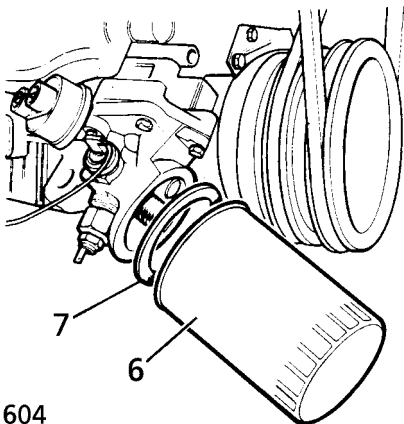
Remove the drain plug and its washer and allow the oil to drain completely.

NOTE: If, by necessity, this procedure is being carried out in dusty or sandy conditions, refit the drain plug as soon as the main bulk of the oil has drained.

When the sump has fully drained, clean the draining plug and the surrounding area of the sump and refit with a new copper washer.

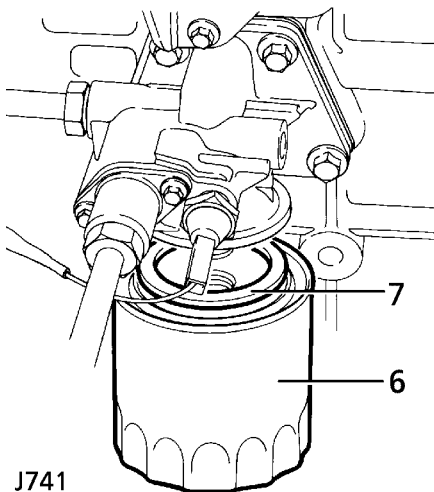
Refill the sump with fresh oil of the correct specification (see 'General data'). Refit the filler cap and let the vehicle stand for five minutes to allow the oil to drain back into the sump. Check the oil level using the dipstick (as described in 'Owner maintenance') and top up until the correct level is obtained.

- **DO NOT use oil previously drained from the engine.**
- **DO NOT OVERFILL!**



J604

V8 engines



J741

Tdi engines

NOTE: On some models, to remove the oil filter, it may be necessary to remove the front engine undertray - see 'Engine undertray', earlier in this section.

ENGINE OIL FILTER RENEWAL

To prevent any possibility of air locks in the oil pump, it is recommended that filter renewal is carried out AFTER the engine oil has been changed.

NOTE: On V8 engines, to minimise the risk of draining the oil pump, ensure that the oil is at the correct operating level before removing the filter.

- Turn the starter switch to position '0' and disconnect the battery negative lead.
- Clean the area around the head of the filter.
- Place a suitable container beneath the filter.
- Using a strap wrench, unscrew the filter (6) and discard it safely.
- Half fill the filter and smear the rubber washer (7) of the new filter, with clean engine oil of the correct specification (see 'General data').
- Screw the filter on clockwise until the rubber washer touches up against the machined face, then tighten a further half turn using hand pressure only. DO NOT OVERTIGHTEN.
- Connect the battery negative lead and run the engine at a fast idle for five minutes.
- Check the filter for leaks.

Stop the engine and let the vehicle stand for five minutes to let the oil drain back into the sump. Check the oil level (see 'Owner maintenance') and top up if necessary.

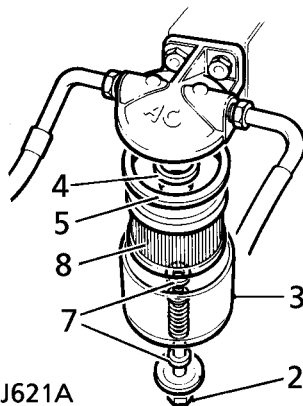
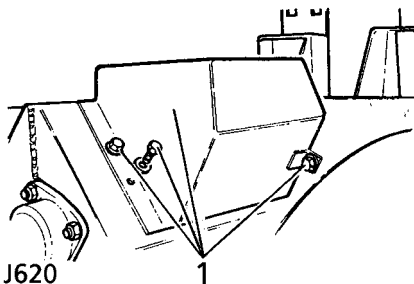
FUEL FILTER RENEWAL

Petrol engines

Before carrying out any work on the fuel system, it is essential that you have read and understood the precautions listed at the beginning of the section (see 'Fuel system safety').

The fuel filter is located next to the fuel pump on the right hand side of the chassis (when viewed from the rear).

- Turn the starter switch to position '0' and disconnect the battery negative lead.

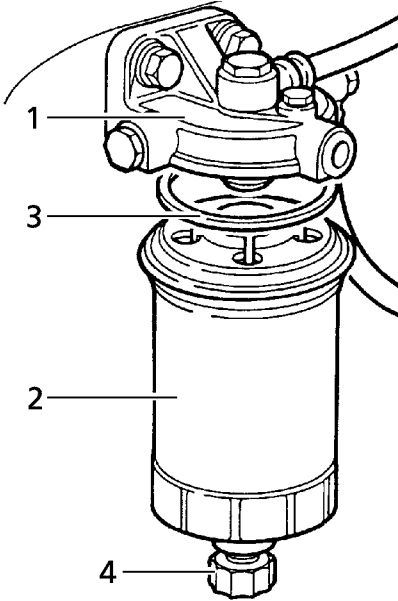


- Unscrew the centre bolt (2) and withdraw the filter bowl (3).
- Remove the small sealing ring (4) and withdraw the element (8).
- Remove the large sealing ring (5) and discard the old element.
- Clean the filter bowl with clean fuel, ensure the centre and top sealing rings (7) are in good condition. Replace if necessary.
- Fit the new element (small hole downwards) and refit the small and large sealing rings (4 and 5).
- Replace filter bowl and tighten the centre bolt.
- Connect the battery negative lead.
- Start the engine and check for leaks.

NOTE: On 110 models the fuel filter is located behind a protective cover (as illustrated above). To remove the cover, unscrew the three bolts (1).

Tdi engine

- Turn the starter switch to position '0' and disconnect the battery negative lead.



J738

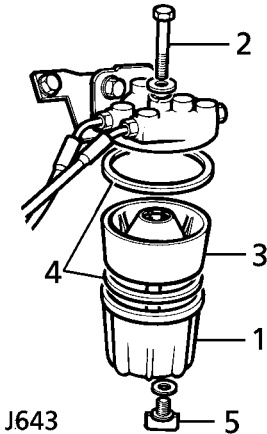
- Clean the area around the filter head (1) and place a container under the filter.
- Using a strap wrench, unscrew the filter (2) and catch the fuel released in the container.
- Wet the seal of the new filter (3) with diesel fuel and screw the filter into position and tighten.
- Ensure that the drain tap (4) at the base of the filter is closed.
- Connect the battery negative lead.
- Start the engine and check for leaks.

FUEL SEDIMENTER CLEANING (Tdi engines)

NOTE: The fuel sedimenter should be drained before removal; this process is covered in 'Owner maintenance'.

The fuel sedimenter is mounted on the chassis rear side member, near the rear wheel.

- Turn the starter switch to position '0' and disconnect the battery negative lead.



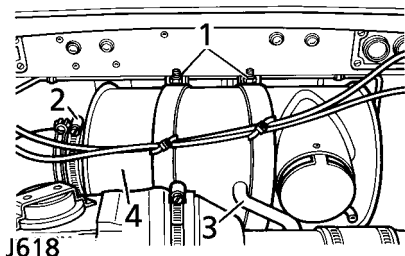
- Fit new seals (4) and re-assemble the sedimenter unit.
- Slacken off the drain plug (5) until pure diesel is emitted, then re-tighten.
- If necessary, prime the system.
- Connect the battery negative lead.
- Start the engine and check the sedimenter for leaks.

- Disconnect the fuel inlet pipe from the sedimenter and raise the pipe above the level of the fuel tank. The pipe must be kept at this level to prevent the tank from draining.
- Whilst supporting the sedimenter bowl (1), unscrew the bolt on the top of the unit (2) and then remove the bowl.
- Remove the sedimenter element (3) and clean all parts with kerosene.

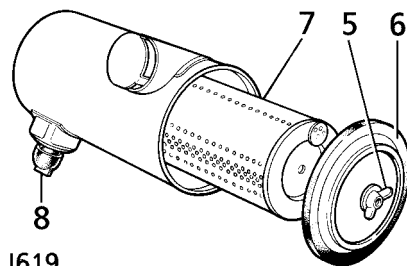
AIR CLEANER ELEMENT RENEWAL

V8 engine

Engine performance will be seriously affected if the air cleaner element becomes choked with dust and other airborne particles.



- Unscrew the two retaining nuts (1).
- Disconnect the air cleaner hose (2).
- Remove the engine breather hose (3).
- Withdraw the air cleaner cannister (4).

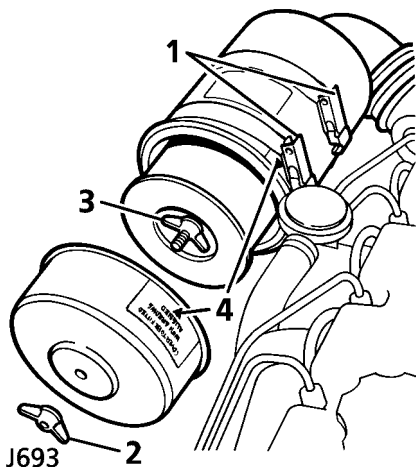


- Unscrew the wing nut and washer (5).
- Remove the filter seal (6).
- Remove the element (7) from the cannister.
- Discard the old element, DO NOT attempt to clean it.
- Insert the new element and secure with the wing nut and washer.
- Fit the air cleaner cannister.
- Fit the breather hose.
- Fit the air cleaner hose.
- Secure with the retaining straps and nuts.

NOTE: Check the dump valve (8) (see 'Air cleaner dump valve check').

Tdi engine

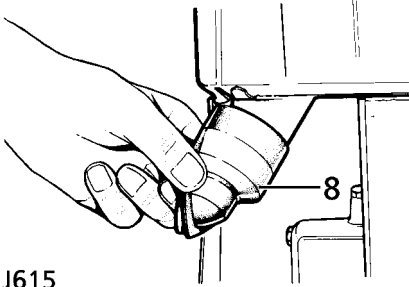
Engine performance will be seriously affected if the air cleaner element becomes choked with dust and other airborne particles.



- Release the two retaining clips (1).
- Raise the air cleaner slightly from its cradle to improve access to the element.
- Unscrew the wing nut (2) and remove the end cover.
- Unscrew the wing nut (3) and withdraw the element.
- Clean the interior and exterior of the casing and cover.
- Fit a new element, seal first, into the casing.
- Secure the element with the wing nut.
- Fit the end cover and align the two arrows (4).
- Position the air cleaner in its mounting cradle and secure the two clips (1).

Air cleaner dump valve check - all engines

The dump valve (8) is situated on the underside of the element housing.

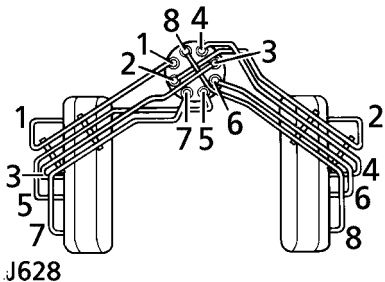


J615

- Squeeze open the dump valve (as illustration) and check that the interior is clean. Renew the valve if perished.

SPARK PLUG CHECK/RENEWAL

(petrol engines)



V8 engine

- Remove the HT leads from the spark plugs.
- Remove the plugs using a spark plug socket and ratchet.
- If they are in poor condition, replace with new plugs of the correct specification (see 'General data').
- Set the spark plug gaps to the correct setting (see 'General data').
- Fit the spark plugs and washers - DO NOT OVERTIGHTEN.

NOTE: Fitting incorrect grades of spark plug, may lead to piston overheating and engine failure.

- Refit the HT leads in the correct order (as illustration), ensuring that the leads are firmly seated onto the plugs.

IGNITION WIRING & HT LEAD CHECK

Check the HT leads for insulation cracking, or corrosion at end contacts. If the HT leads are damaged, replace with new leads of the same specification.

NOTE: Ensure leads are reconnected in the correct order or the engine will misfire.

Workshop maintenance

DISTRIBUTOR

V8 engines

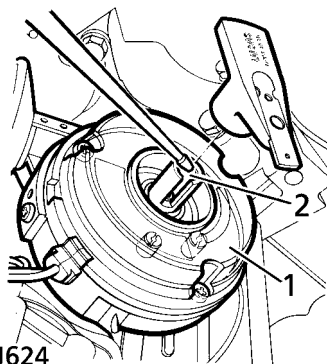
WARNING

ALWAYS disconnect the battery negative lead before carrying out any maintenance on the ignition and electrical systems.

The internal operating parts of the distributor are protected by a plastic insulating cover (1) and are pre-set during manufacture - they do not require maintenance.

WARNING

DO NOT remove or tamper with the plastic insulating cover.



- Clean the outer surfaces of the distributor cap to remove dirt or grease.
- Unclip the cap and check it for cracks. Clean the inside of the cap with a dry, lint free cloth.
- Remove the rotor arm and check it for wear - replace if necessary.
- Apply a spot of clean engine oil to the top of the rotor spindle (2).
- Fit the rotor arm and distributor cap, ensuring that they are properly located. Secure the distributor cap with the two clips.

DRIVE BELTS

Driving belt tension

All pulleys and belts should be examined regularly for any damage, deterioration or fouling (grit, mud, oil etc). Replace or clean where necessary.

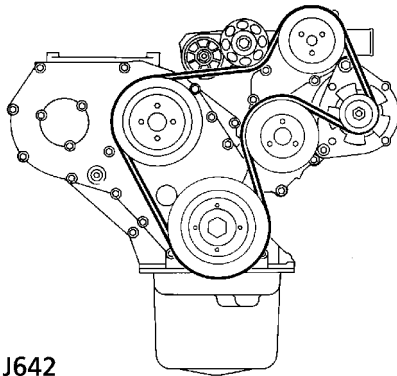
After every off-road session, the drive belts should be inspected for cuts and possible damage caused by stones. If a belt has jumped, reposition it correctly and, if necessary, replace it at the earliest opportunity.

WARNING

Before checking or adjusting any drive belt; to prevent the possibility of serious injury, disconnect the battery negative lead to prevent the engine from being started.

DRIVE BELT - 300 Tdi engine

The 300 Tdi engine uses a 'serpentine' type drive belt, which drives all the ancillaries except for the air conditioning compressor and 24 Volt alternator (if fitted).



J642

An automatic drive belt tensioner keeps the belt at the correct tension, thereby eliminating the need to manually check the belt deflection.

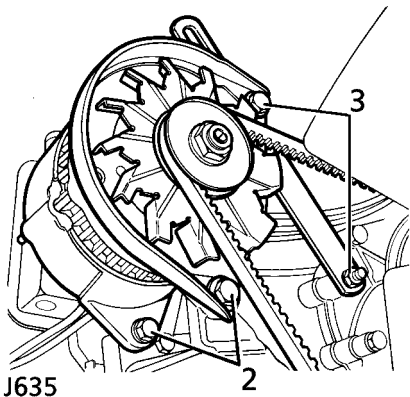
Under normal highway use, the belt must be changed at 160,000 km (96,000 mile) or eight year intervals (whichever occurs first), but should be examined regularly for signs of wear, splitting or oil contamination and replaced accordingly.

Workshop maintenance

ALTERNATOR DRIVE BELT

V8 engine (without air-conditioning)

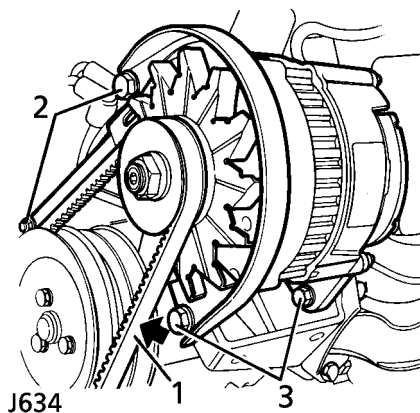
Check the belt deflection with thumb pressure, mid-way between the alternator and crankshaft pulleys. Movement should be approximately 12 mm (0.5 in). If adjustment is necessary;



- Turn the starter switch to position '0' and disconnect the battery negative lead.
- Loosen bolts (2).
- Loosen the adjustment bolts (3).
- Pivot the alternator away from, or towards the engine, to increase, or reduce tension.
- Tighten the UPPER adjustment bolt (3).
- Tighten the LOWER adjustment bolt (3).
- Tighten both bolts (2).
- Connect the battery, run the engine for five minutes at a fast idle and then switch off.
- Re-check belt tension.

V8 engine (with air-conditioning)

Check the belt deflection with thumb pressure, mid-way between the steering pump and alternator pulleys (arrowed (1) in illustration). Movement should be between 4 and 6 mm (0.16 and 0.25 in). If adjustment is necessary;



- Turn the starter switch to position '0' and disconnect the battery negative lead.
- Slacken the adjustment link clamp and pivot bolts (2).
- Slacken the two alternator pivot bolts (3).
- Move the alternator towards, or away from the engine to decrease, or increase tension.

Workshop maintenance

WARNING

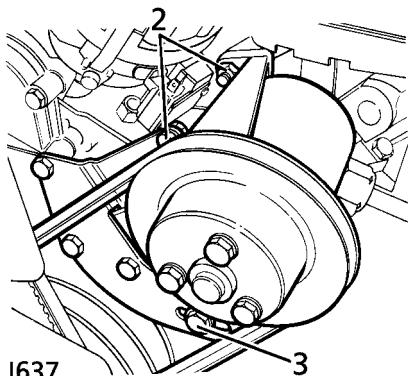
*DO NOT use a lever to move the alternator.
ONLY apply hand pressure to the alternator
body when adjusting drive belt tension.*

- Tighten the adjustment link clamp and pivot bolts (2).
- Tighten the alternator pivot bolts (3).
- Connect the battery, run the engine for five minutes at a fast idle and then switch off.
- Re-check belt tension.

POWER STEERING PUMP DRIVE BELT

V8 engine (without air-conditioning)

Check belt deflection with thumb pressure mid-way between the crankshaft and steering pump pulley. Movement should be between 4 and 6 mm (0.16 and 0.25 in). If adjustment is necessary;



- Turn the starter switch to position '0' and disconnect the battery negative lead.
- Slacken the two pivot bolts (2).
- Slacken the pump adjustment clamp bolt (3).
- Move the pump in the required direction to obtain the correct tension.

WARNING

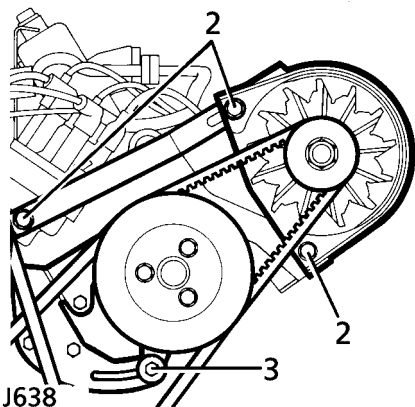
DO NOT lever, or apply pressure to the pump body to tension the belt, as damage to the pump may occur.

- Tighten adjustment clamp bolt (3).
- Tighten the two pivot bolts (2).
- Connect the battery, run the engine for five minutes at a fast idle and then switch off.
- Re-check belt tension.

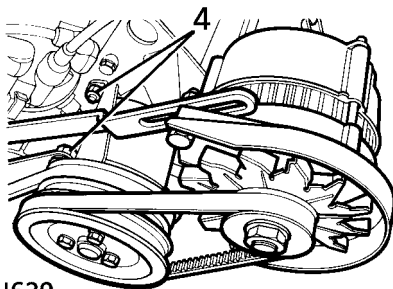
POWER STEERING PUMP DRIVE BELT

V8 engine (with air-conditioning)

Check the belt deflection with thumb pressure, mid-way between the crankshaft and steering pump pulleys. Movement should be between 4 and 6 mm (0.16 and 0.25 in). If adjustment is necessary;



- Turn the starter switch to position '0' and disconnect the battery negative lead.
- Slacken the alternator adjustment link clamp and pivot bolts (2) (see 'Alternator drive belt - V8 engine with air-conditioning').
- Slacken the steering pump adjustment clamp bolt (3).



- Slacken the two steering pump pivot bolts (4).
- Move the steering pump in the required direction to achieve the correct tension.

WARNING

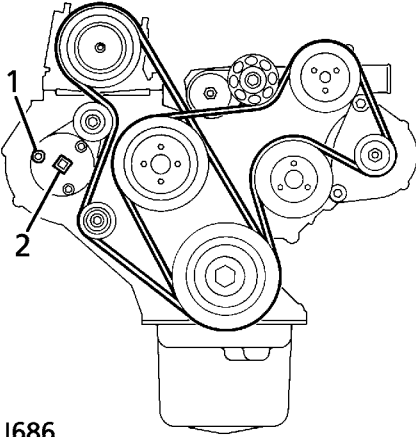
DO NOT lever, or apply pressure to the pump body to tension the belt, as damage to the pump may occur.

- Tighten the pump adjustment clamp bolt (3).
- Tighten the two pump pivot bolts (4).
- Adjust the alternator drive belt (see 'Alternator drive belt - V8 engine with air-conditioning').
- Connect the battery, run the engine for five minutes at a fast idle and then switch off.
- Re-check both steering pump and alternator belt tension.

AIR CONDITIONING COMPRESSOR DRIVE BELT

Tdi engine

Correct belt tension can only be achieved using a suitably calibrated torque meter.



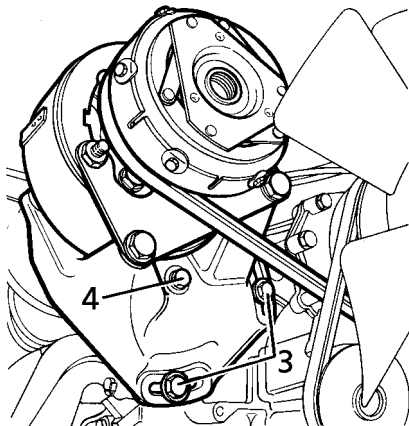
J686

- Slacken the 3 bolts (1) securing the tensioner.
- Apply a clockwise torque of 35 Nm to the square drive (2) of the tensioner and tighten the bolts to 25 Nm.

AIR CONDITIONING COMPRESSOR DRIVE BELT

V8 engine

Check the belt deflection with thumb pressure, mid-way between the compressor and fan/water pump pulley. Movement should be approximately 4 mm to 6 mm (0.16 to 0.25 in). If adjustment is necessary;



J640

WARNING

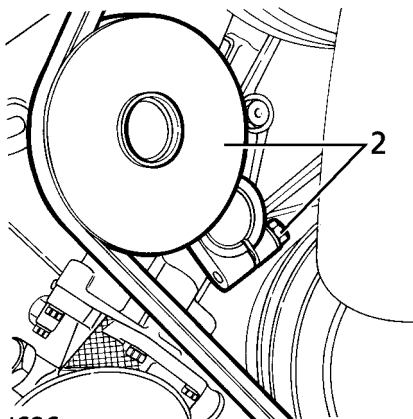
DO NOT lever, or apply pressure to the compressor, as this could cause permanent damage.

- Tighten the clamp bolts (3).
 - Tighten the pivot bolt (4).
 - Check tension.
 - Connect the battery, run the engine for five minutes at a fast idle and then switch off.
 - Re-check the belt tension.
-
- Turn the starter switch to position '0' and disconnect the battery negative lead.
 - Slacken the two compressor mounting bracket clamp bolts (3).
 - Slacken the pivot bolt (4) in the centre of the bracket.
 - Move the compressor towards/away from the engine, to decrease/increase the tension as required.

FAN BELT

V8 engine (with air conditioning)

On vehicles fitted with air conditioning, a tensioner pulley is fitted. Check the belt deflection with thumb pressure, mid-way between the fan and crankshaft pulleys, on the side opposite the tensioner pulley. Movement should be approximately 4 mm to 6 mm (0.16 to 0.25 in). If adjustment is necessary;



- Turn the starter switch to position '0' and disconnect the battery negative lead.
- Slacken the tensioner pulley pinch bolt (2).
- Move the pulley to the left/right to increase/decrease tension.
- Tighten the pulley pinch bolt.
- Connect the battery, run the engine for five minutes at a fast idle and then switch off.
- Re-check the belt tension.

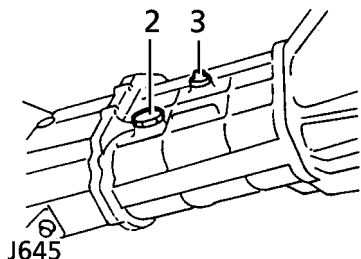
MAIN GEARBOX OIL RENEWAL

WARNING

For safety, DO NOT work underneath the vehicle unless it is safely parked with the wheels chocked, or is supported by heavy duty stands.

Extreme care should be taken when draining gearbox oil, it may be hot and cause severe scalding.

Ensure the vehicle is parked on firm, level ground and chock the wheels. Place a suitable container under the gearbox to catch the used oil.



NOTE: *On some models, to access the main gearbox drain and fill plugs, it will be necessary to remove the rear section of the engine undertray - see 'Engine undertray', earlier in this section.*

- Clean the area surrounding the drain plug (2) and filler level plug (3), to prevent contamination of the gearbox.
- Remove the drain plug (2) and allow the oil to drain completely.
- Clean and refit the drain plug.
- Remove the filler level plug (3) and inject the correct grade of oil (see 'General data') until it begins to run from the hole.

WARNING

Use only NEW oil - DO NOT use oil previously drained from the system.

- Clean and refit the filler level plug.
- Wipe any surplus oil from the area and remove the wheel chocks.

Workshop maintenance

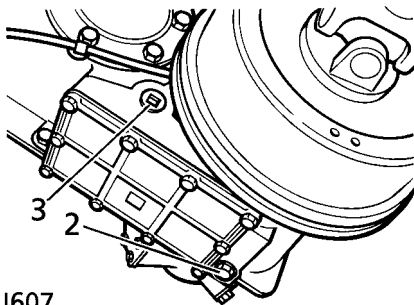
TRANSFER GEARBOX OIL RENEWAL

WARNING

For safety, DO NOT work underneath the vehicle unless it is safely parked with the wheels chocked, or is supported by heavy duty stands.

Extreme care should be taken when draining gearbox oil, it may be hot and cause severe scalding.

Ensure the vehicle is parked on firm, level ground and chock the wheels. Place a suitable container under the gearbox to catch the used oil.



J607

- Clean the area surrounding the drain plug (2) and filler level (3) plug, to prevent contamination of the gearbox.
- Remove the drain plug (2) and allow the oil to drain completely.

- Clean and refit the plug with a new washer.
- Remove the filler level plug (3) and inject the correct grade of oil (see 'General data') until it begins to run from the hole.

WARNING

Use only NEW oil - DO NOT use oil previously drained from the system.

- Clean and refit the filler level plug.
- Wipe any surplus oil from the area and remove the wheel chocks.

Workshop maintenance

FRONT/REAR AXLE OIL RENEWAL

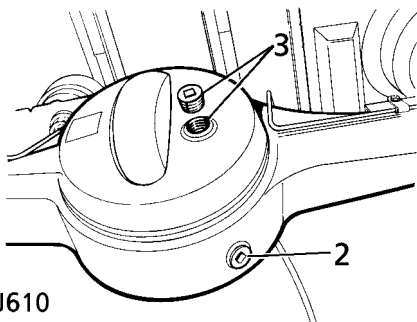
WARNING

For safety, DO NOT work underneath the vehicle unless it is safely parked with the wheels chocked, or is supported by heavy duty stands.

Extreme care should be taken when draining axle oil, it may be hot and cause severe scalding.

NOTE: *A front axle is illustrated, but the procedure is the same for both axles.*

Ensure the vehicle is parked on firm, level ground and chock the wheels. Place a suitable container under the axle to be drained to catch the used oil.



- Clean the area surrounding the drain plug (2) and filler level plug (3), to prevent contamination of the axles.
- Remove the drain plug (2) and allow the oil to drain completely.

- Clean and refit the drain plug.
- Remove the filler level plug (3) and inject the correct grade of oil (see 'General data') until it begins to run from the hole.

WARNING

Use only NEW oil - DO NOT use oil previously drained from the system.

- Clean and refit the filler level plug.
- Wipe any surplus oil from the area and remove the wheel chocks.

BRAKE PAD, DISC AND CALIPER CHECK

If the vehicle is being operated in arduous conditions, especially when deep mud and/or wading situations are regularly encountered, the condition of the brake pads, discs and calipers should be checked at least weekly, if not even more frequently.

Hydraulic disc brakes are fitted to the front and rear wheels, they are self adjusting and therefore, no provision for manual adjustment is made.

- Check the thickness of the brake pads, which should not be less than 3mm (0.125 in).
- Check for uneven brake pad wear.
- Check for oil contamination on the brake discs and pads.
- Check condition of the brake discs for wear and/or corrosion.
- Check the brake calipers for any leaking brake fluid.

If necessary, any replacement or rectification of discs, brakes or calipers, should be carried out by a qualified dealer.

Workshop maintenance

HANDBRAKE CHECK/ADJUSTMENT

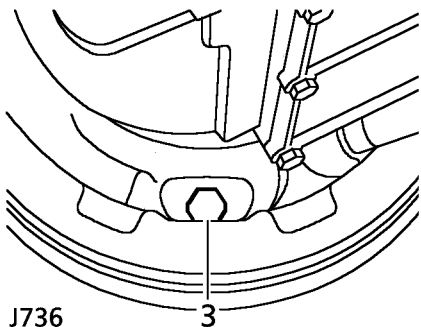
WARNING

For safety, **DO NOT** work underneath the vehicle unless it is safely parked with the wheels chocked, or is supported by heavy duty stands.

Ensure the vehicle is parked on firm, level ground and chock the wheels.

If the parking brake movement is excessive, adjust as follows:

- Raise one rear wheel clear of the ground and ensure it is supported securely with an axle stand.
- Release the handbrake.

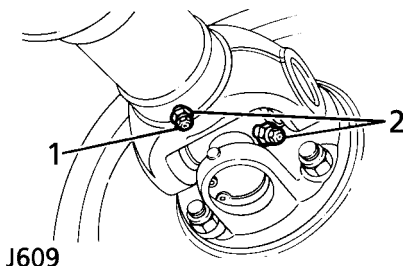


- Tighten the adjusting bolt (3) until brake drum will not rotate (by hand).
- Further tighten the adjusting bolt to a torque of 25 Nm (18 lbf/ft) to ensure that the brake drum is locked - if this is not the case, consult a Land Rover dealer.

- Finally, slacken the adjusting bolt by turning it 1.5 turns anti-clockwise.

The brake drum should now be free to rotate, and the brakes shoes correctly adjusted.

PROPELLER SHAFT LUBRICATION



- Clean all the grease nipples on the front and rear propshaft universal joints (1). Charge a low pressure hand grease gun with the recommended grade of grease (see 'General data') and apply to the grease nipples (2).

WARNING

Any additional greasing of the propshaft **MUST** be carried out by a qualified dealer.

SECTION 6

General data

Section Contents	Page
Lubricants & fluids	157
Capacities	159
Engine data	160
Steering	161
Electrical system	161
Replacement bulbs	161
Dimensions	162
Off-road performance	163
Towing weights	164
Vehicle weights	164
Fuel consumption	167
Wheels & tyres	168

General data

LUBRICANTS AND FLUIDS

Recommendations for all climates and conditions.

COMPONENTS Specification	SAE	AMBIENT TEMPERATURE ° C						
		-30	-20	-10	0	10	20	30
Petrol engine sump Oils must meet RES.22.OL.G4 or ACEA A2:96 or API service levels SG or SH	5W/30	████████████████████						
	5W/40, 5W/50	████████████████████						
	10W/30	████████	████████████████████					
	10W/40,	████████		████████████████████				
	10W/50	████████			████████████████████			
	10W/60	████████				████████████████████		
Td5 diesel engine sump Oil to meet ACEA A1.98 & B1.98	5W/30	████████████████████						
	5W/40, 5W/50	████████████████████						
		████████████████████						
Tdi diesel engine sump Diesel oils meeting RES 22.OL.PD2 or ACEA B2:96 (or API CE)	5W/30	████████████████████						
	5W/40, 5W/50	████████████████████						
	10W/30	████████	████████████████████					
	10W/40	████████		████████████████████				
	10W/50	████████			████████████████████			
	15W/40	████████				████████████████████		
Main gearbox Texaco MTF94		████████████████████						
		████████████████████						
Transfer gearbox Texaco Multigear	75W 90R	████████████████████						
		████████████████████						
Final drive units Molytex	90W EP	████████████████████						
		████████████████████						
Power steering ATF M2C 33 (F or G) or L ATF Dexron II D, II E or III		████████████████████						
		████████████████████						

General data

Lubrication nipples (hubs, ball joints, prop. shafts, etc.)

NLGI-2 Multipurpose Lithium based grease

Battery terminals

Petroleum jelly. DO NOT use silicone grease

Brake and clutch reservoirs

Universal brake fluids or any brake fluid having a minimum boiling point of 260° C (500° F) and complying with FMVSS 116 DOT4

Windscreen washers

Screen washer fluid

Engine cooling system (petrol & diesel models)

Use Havoline Extended Life Coolant, or any ethylene glycol based anti-freeze (containing no methanol) with Organic Acid Technology (OAT) corrosion inhibitors. Use one part anti-freeze to one part water for protection down to -36° C (-33° F).

Air conditioning compressor

R134a

Door locks (anti-burst) and inertia reels

DO NOT LUBRICATE. These components are lubricated for life during manufacture.

General data

CAPACITIES

The following capacities are approximate and provided as a guide only. All oil levels must be set using the dipstick or level plugs as applicable.

Fuel tank - usable capacity

Diesel - 110 & 130 models	75 litre (16.50 gall)
Diesel - 90 models	60 litre (13.20 gall)
Petrol - 110 & 130 models	70 litre (15.40 gall)
Petrol - 90 models	55 litre (12.10 gall)

Engine sump

- Td5 models	7,20 litre (12.67 pt)
- Tdi models	5,80 litre (10.15 pt)
- V8 petrol models	5,10 litre (9.00 pt)
- 4-cylinder petrol models	6,00 litre (10.56 pt)

Additional capacity after fitting new oil filter

- Td5 models	1,00 litre (1.76 pt)
- Tdi models	0,85 litre (1.50 pt)
- V8 petrol models	0,56 litre (1.00 pt)
- 4-cylinder petrol models	0,85 litre (1.50 pt)

Main gearbox 2,38 litre (4.19 pt)

Transfer box 2,30 litre (4.00 pt)

Front differential 1,70 litre (3.00 pt)

Rear differential

- (90 models)	1,70 litre (3.00 pt)
- (110 models)	2,26 litre (4.00 pt)

Cooling system,

- Td5 models	13,00 litre (22.88 pt)
- Tdi models	11,10 litre (20.00 pt)
- V8 petrol models	12,80 litre (22.50 pt)
- 4-cylinder petrol models	10,80 litre (19.00 pt)

General data

Engine - Td5

Bore	84,45 mm (3.325 in)
Stroke	88,95 mm (3.502 in)
Number of cylinders	5
Cylinder capacity	2498 cc
Compression ratio	19.5:1
Firing order	1, 2, 4, 5, 3

Engine - Tdi

Bore	90,47 mm (3.562 in)
Stroke	97,00 mm (3.819 in)
Number of cylinders	4
Cylinder capacity	2495 cc (152 cu in)
Compression ratio	19.5:1
Firing order	1, 3, 4, 2

Engine - V8 petrol

Bore	88,90 mm (3.500 in)
Stroke	71,12 mm (2.800 in)
Number of cylinders	8
Cylinder capacity	3528 cc (215 cu in)
Compression ratio	9.35:1
Firing order	1, 8, 4, 3, 6, 5, 7, 2
Sparking plug type	Champion RN9YC
Sparking plug gap	0,72 to 0,88 mm (0.028 to 0.035 in)
Distributor	Electronic
Ignition timing, dynamic;	4° BTDC ± 1° with vacuum pipe disconnected

Engine - 4-cylinder petrol

Bore	90,47 mm (3.562 in)
Stroke	97,00 mm (3.819 in)
Number of cylinders	4
Cylinder capacity	2495 cc (152 cu in)
Compression ratio	8.0:1
Firing order	1,3,4,2
Sparking plug type	Champion RN9YC
Sparking plug gap	0,72 to 0,88 mm (0.028 to 0.035 in)
Distributor contact breaker gap	0,35 to 0,40 mm (0.014 to 0.016 in)
Ignition timing, dynamic;	16° BDTC ± 1° with vacuum pipe disconnected

General data

STEERING (lock to lock)

Manual	4.3 turns
Power assisted	3.38 turns
Camber angle	Zero
Castor angle	3°
Swivel pin inclination	7°
Front wheel toe-out	0 to 2 mm

Turning circle between kerbs:

90 models	11,7 m (38.4 ft) minimum
110 models	13,41 m (44 ft) minimum
130 models	15,24 m (50 ft) minimum

ELECTRICAL SYSTEM

Type	Negative earth
Voltage	12
Battery	
- Td5 models	Delphi GP31
- Tdi models	380/120/90
- petrol models	210/85/90
Charging circuit	Alternator
Ignition system	
- petrol models	Coil

REPLACEMENT BULBS

Headlights	60/55 W Halogen bulb
Front side lights	12 V 5 W
Side repeater lights	12 V 5 W
Stop lights	12 V 21 W
Tail lights	12 V 5 W
Direction indicator lights	12 V 21 W
Number plate lights	12 V 4 W
Reversing lights	12 V 21 W
Rear fog guard lights	12 V 21 W
Interior lights	12 V 10 W

General data

DIMENSIONS

90 models

Overall length:

- Soft top & Pick-up 3722 mm (146.5 in)
- Hard top & Station wagon 3883 mm (152.9 in)

Overall width 1790 mm (70.5 in)

Overall height:

- Soft top 1965 mm (77.4 in)
- Pick-up & Station wagon 1963 mm (77.3 in)
- Hard top 1972 mm (77.6 in)

Wheelbase 2360 mm (92.9 in)

Track front/rear 1486 mm (58.5 in)

Width between wheel boxes 925 mm (36.4 in)

110 models

Overall length:

- Soft top & Pick-up 4438 mm (175 in)
- High capacity pick-up 4631 mm (182 in)
- Hard top/Station wagon & County 4599 mm (181 in)

Overall width 1790 mm (70.5 in)

Overall height 2035 mm (80.1 in)

Wheelbase 2794 mm (110 in)

Track front/rear 1486 mm (58.5 in)

Width between wheel boxes:

- High capacity pick-up 1090 mm (43 in)
- all other models 925 mm (36.4 in)

130 models

Overall length 5132 mm (202 in)

Overall width 1790 mm (70.5 in)

Overall height 2035 mm (80.1 in)

Wheelbase 3226 mm (127 in)

Track front/rear 1486 mm (58.5 in)

Width between wheel boxes 1090 mm (43 in)

General data

OFF-ROAD PERFORMANCE

90 models

Max. gradient (EEC kerb weight) 45°

Approach angle:

- Soft top & Pick-up (EEC kerb weight) 48°

- Hard top & Station wagon (EEC kerb weight) 51.5°

Departure angle

- Soft top & Pick-up (EEC kerb weight) 49°

- Hard top & Station wagon (EEC kerb weight) 53°

Wading depth 500 mm (20 in)

Min. ground clearance (unladen):

- Soft top & Pick-up 191 mm (7.5 in)

- Hard top & Station wagon 229 mm (9.0 in)

NOTE: Departure angles do not account for the addition of a tow hitch.

110 & 130 models

Max. gradient (EEC kerb weight) 45°

Approach angle (EEC kerb weight) 50°

Departure angle (EEC kerb weight)

110 models 35°

130 models 34°

Wading depth 500 mm (20 in)

Min. ground clearance (unladen) 215 mm (8.5 in)

NOTE: Departure angles do not account for the addition of a tow hitch.

General data

TOWING WEIGHTS

	On-road	Off-road
- Unbraked trailers	750 kg (1653 lb)	500 kg (1102 lb)
- Trailers with overrun brakes	3500 kg (7716 lb)	1000 kg (2204 lb)
- 4 wheel trailers with coupled brakes*	3500 kg (7716 lb)	1000 kg (2204 lb)
Nose weight	150 kg (330 lb)	150 kg (330 lb)

NOTE: * Only applies to vehicles modified to accept coupled brakes.

NOTE: All weight figures are subject to local restrictions.

VEHICLE WEIGHTS

90 models

Max front axle weight	1200 kg (2645 lb)
Max rear axle weight	1500 kg (3307 lb)
Gross vehicle weight	
Station Wagon	2550 kg (5622 lb)
Utility vehicles	2400 kg (5291 lb)

110 models

Max front axle weight	1200 kg (2645 lb)
Max rear axle weight	
Station Wagon	1750 kg (3858 lb)
Utility vehicles	1850 kg (4078 lb)
Gross vehicle weight	
Station Wagon	2950 kg (6503 lb)
Utility vehicles	3050 kg (6724 lb)

Heavy duty 110 & 130 models

Max front axle weight	1580 kg (3483 lb)
Max rear axle weight	2200 kg (4850 lb)
Gross vehicle weight	3500 kg (7716 lb)

NOTE: Axle weights are non additive. The individual maximum axle weights and gross vehicle weight must not be exceeded.

General data

EEC KERB WEIGHT

90 models

Standard

High load

Soft-top/Pick-up:

- Td5	1770 kg (3402 lb)	1993 kg (4393 lb)
- Tdi	1694 kg (3734 lb)	1698 kg (3743 lb)
- V8 petrol	1627 kg (3587 lb)	1627 kg (3587 lb)
- 4-cyl petrol	1636 kg (3606 lb)	1640 kg (3615 lb)

Hard top:

- Td5	1815 kg (4001 lb)	1987 kg (4380 lb)
- Tdi	1746 kg (3849 lb)	1750 kg (3858 lb)
- V8 petrol	1672 kg (3686 lb)	1672 kg (3686 lb)
- 4-cyl petrol	1683 kg (3710 lb)	1687 kg (3719 lb)

Station wagon:

- Td5	1870 kg - 1885 kg (4122 lb - 4155 lb)	1989 kg - 1998 kg (4385 lb - 4404 lb)
- Tdi	1793 kg (3952 lb)	1797 kg (3961 lb)
- V8 petrol	1690 kg (3725 lb)	1690 kg (3725 lb)
- 4-cyl petrol	1701 kg (3750 lb)	1705 kg (3758 lb)

EEC kerb weight = Unladen weight + Full fuel tank + 75 kg driver.

General data

EEC KERB WEIGHT

110 models

Soft top/Pick-up:

- Td5	1885 kg - 2080 kg	(4155 lb - 4585 lb)
- Tdi	1890 kg	(4166 lb)
- V8 petrol	1825 kg	(4023 lb)
- 4-cyl petrol	1825 kg	(4023 lb)

H.C. pick-up:

- Td5	1920 kg - 2122 kg	(4232 lb - 4678 lb)
- Tdi	1927 kg	(4248 lb)
- V8 petrol	1863 kg	(4107 lb)
- 4-cyl petrol	1863 kg	(4107 lb)

Hard top:

-Td5	1920 kg - 2110 kg	(4232 lb - 4651 lb)
- Tdi	1923 kg	(4239 lb)
- V8 petrol	1850 kg	(4078 lb)
- 4-cyl petrol	1850 kg	(4078 lb)

Station wagon:

- Td5	2055 kg - 2229 kg	(4530 lb - 4914 lb)
- Tdi	2028 kg - 2064 kg	(4470 lb - 4550 lb)
- V8 petrol	1954 kg - 1990 kg	(4307 lb - 4387 lb)
- 4-cyl petrol	1953 kg - 1989 kg	(4305 lb - 4385 lb)

130 models

Crew cab & H.C. pick-up

- Td5	2117 kg - 2286 kg	(4667 lb - 5039 lb)
- Tdi	2086 kg	(4598 lb)
- V8 petrol	2012 kg	(4435 lb)

EEC kerb weight = Unladen weight + Full fuel tank + 75 kg driver.

General data

FUEL CONSUMPTION

The fuel consumption figures shown below have been calculated using a standard testing procedure (the new EC test procedure from Directive 93/116/EC), and produced in accordance with The Passenger Car Fuel Consumption (Amendment) Order 1996. Under normal use, a car's actual fuel consumption figures may differ from those achieved through the test procedure, depending on driving technique, road and traffic conditions, environmental factors, vehicle and load conditions.

	URBAN		EXTRA-URBAN		COMBINED	
	mpg	l/100km	mpg	l/100km	mpg	l/100km
<i>90 models:</i>						
Td5	23.5	12.0	31.5	9.0	28.0	10.1
<i>110 & 130 models:</i>						
Td5	22.3	12.7	29.2	9.7	26.2	10.8

Urban cycle

The urban test cycle is carried out from a cold start and consists of a series of accelerations, decelerations and periods of steady speed driving and engine idling. The maximum speed attained during the test is 31 mph (50 km/h), with an average speed of 12 mph (19 km/h).

Extra-urban cycle

The extra-urban test cycle is carried out immediately after the urban test. Approximately half the test comprises steady speed driving, while the remainder consists of a series of accelerations, decelerations and engine idling. The maximum test speed is 75 mph (120 km/h) and the average speed 39 mph (63 km/h). The test is carried out over a distance of 4.3 miles (7 km).

Combined

The combined figure is an average of the urban and the extra-urban test cycle results, which has been weighted to take account of the different distances covered during the two tests.

NOTE: These figures should not be compared with the figures produced using the ECE/EEC procedure previously required by The Passenger Car Fuel Consumption Order 1983. Because of the changes in test procedure, even the urban figures would differ if the same car were subjected to both tests.

General data

TYRE SIZE AND PRESSURES

90 models:	Front	Rear
Normal - all load conditions		
205 R16 radial	1,9 bar	2,4 bar
& 265/75 R16 radial (multi-terrain)	28 lbf/in ²	35 lbf/in ²
	2,0 kgf/cm ²	2,5 kgf/cm ²
750 R16 radial	1,9 bar	2,75 bar
	28 lbf/in ²	40 lbf/in ²
	2,0 kgf/cm ²	2,8 kgf/cm ²

110 models:	Front	Rear
750 R16 Radial		
Normal - all load conditions	1,9 bar	3,3 bar
	28 lbf/in ²	48 lbf/in ²
	2,0 kgf/cm ²	3,4 kgf/cm ²

130 models:	Front	Rear
750 R16 Radial		
Normal - all load conditions	3,0 bar	4,5 bar
	44 lbf/in ²	65 lbf/in ²
	3,1 kgf/cm ²	4,6 kgf/cm ²

WARNING

Tyre pressures must be checked with the tyres cold, as the pressure is about 0.21 bar (3 lbf/in²) 0.2 kgf/cm² higher at running temperature. If the vehicle has been parked in the sun or high ambient temperatures, DO NOT reduce the tyre pressures, move the vehicle into the shade and wait for the tyres to cool before checking the pressures.

WARNING

ALWAYS use the same make and type of radial-ply tyres, front and rear. DO NOT use cross-ply tyres, or interchange tyres from front to rear.

- If the wheel is marked 'TUBED', an inner tube MUST be fitted, even with a tubeless tyre.*
 - If the wheel is marked 'TUBELESS', an inner tube must NOT be fitted.*
-

SECTION 7

Parts & accessories

Section Contents	Page
Parts & accessories	171
Electrical equipment	171
After sales service	172
Travelling abroad	172

Parts & accessories

PARTS AND ACCESSORIES

Your vehicle has been designed, manufactured and proven to cope with the most rigorous driving conditions. As such, fitting parts and accessories that have been developed and tested to the same stringent standards is essential to guarantee the continued reliability, safety and performance of the vehicle.

To augment the vehicles' already awesome ability, a comprehensive and versatile range of quality spare parts and accessories are available to fulfill a wide variety of roles, both enhancing and protecting the vehicle in the many tasks to which it can be applied.

Genuine Land Rover Parts are the ONLY parts built to original equipment specifications AND approved by Land Rover designers - this means that every single part and accessory has been rigorously tested by the same engineering team that designed and built the vehicle and can therefore be GUARANTEED for twelve months with UNLIMITED MILEAGE.

A full list and description of all available accessories is available from your Land Rover dealer.

It is recommended that you always consult a Land Rover dealer before fitting accessories, and before commencing any conversion or alteration to the vehicles original specification.

WARNING

The fitting of parts and accessories of inferior quality, or the carrying out of non-approved conversions, may be dangerous and could affect the safety of the vehicle and occupants and invalidate the terms and conditions of the vehicle warranty.

Electrical equipment

WARNING

It is extremely hazardous to fit or replace parts or accessories whose installation requires the dismantling of or addition to either the electrical or fuel system.

Fitting inferior quality parts or accessories, may be dangerous and could invalidate the vehicle warranty.

It is recommended that you always consult a Land Rover dealer for advice regarding the approval, suitability, installation and use of any electrical parts or accessories before fitting.

Parts & accessories

After sales service

The After Sales Parts service is of paramount importance, both in the UK and across the world. In the UK there are over 100 authorised Land Rover dealers, all computer linked for rapid ordering of parts and accessories.

In addition, with franchised representation in over 100 countries worldwide, Land Rover are able to support your vehicle wherever you go.

A full list of Land Rover dealers is included in the literature pack.

Only Land Rover dealers are able to provide the full range of recommended parts and accessories that meet our rigorous standards of safety, durability and performance.

Travelling abroad

In certain countries, it is illegal to fit parts which have not been made to the vehicle manufacturers' specification.

Owners should ensure that any parts or accessories fitted to the vehicle while travelling abroad, will conform to the legal requirements of their own country when they return home.

SECTION 8

Off-road driving

This section of the handbook is devoted to your vehicle's superb off-road driving capabilities.

*Before venturing off-road however, it is **absolutely essential** that inexperienced drivers become fully familiar with the vehicle's controls, in particular the transfer gearbox, and also study the off-road driving techniques described on the following pages.*

Section Contents	Page
Basic off-road techniques	175
Driving on soft surfaces & dry sand	179
Driving on slippery surfaces	180
Driving on rough tracks	180
Climbing steep slopes	181
Descending steep slopes	182
Traversing a slope	183
Negotiating a 'V' shaped gully	183
Driving in existing wheel tracks	183
Crossing a ridge	183
Crossing a ditch	183
Wading	184

Off-road driving

WARNING

Off-road driving can be hazardous!

- *DO NOT take unnecessary risks.*
- *Be prepared for emergencies at all times.*
- *Familiarise yourself with the recommended driving techniques in order to minimise risks to yourself, your vehicle AND your passengers.*
- *Always use a seat belt for personal protection in all off-road driving conditions.*
- *DO NOT drive if the fuel level is low - undulating ground and steep inclines could cause fuel starvation to the engine.*
- *Driving off-road with a loaded roof rack is not recommended. If it is necessary to stow luggage on the roof-rack while driving off-road, all loads MUST be removed before traversing side slopes.*

BASIC OFF-ROAD TECHNIQUES

These basic driving techniques are an introduction to the art of off-road driving and do not necessarily provide the information needed to successfully cope with every single off-road situation.

We strongly recommend that owners who intend to drive off-road frequently, should seek as much additional information and practical experience as possible.

Gear selection

Correct gear selection is possibly the single most important factor for safe and successful off-road driving. While only experience will tell you which is the correct gear for any section of ground, the following basic rules apply:

1. NEVER change gear or de-clutch while negotiating difficult terrain - the drag on the wheels may cause the vehicle to stop when the clutch is depressed and restarting may be difficult.
2. Generally, and especially where slippery or soft ground conditions prevail, the higher the gear you select the better.
3. When descending very steep slopes always select 1st gear in LOW range.

Inexperienced drivers are advised to stop the vehicle and carefully consider which gear will be most appropriate for each manoeuvre before continuing.

Slipping the clutch

Use of excessive clutch slip to prevent the engine stalling will result in premature clutch wear. Always select a gear low enough to enable the vehicle to proceed without the need to slip the clutch.

DO NOT drive with your foot resting on the clutch pedal; driving across uneven terrain could cause you to inadvertently depress the clutch, resulting in loss of control of the vehicle.

Off-road driving

Transfer gears

High range gears should be used whenever possible - only change to low range when ground conditions become very difficult. The DIFF LOCK should be engaged whenever there is a risk of losing wheel grip, and disengaged as soon as firm, level, non-slippery ground is reached.

Braking

As far as possible, vehicle speed should be controlled through correct gear selection. Application of the brake pedal should be kept to an absolute minimum. Unless ABS is fitted, any braking on wet, muddy or loose surfaces is likely to cause one or more wheels to lock - the resultant slide could prove dangerous.

NOTE: *If the correct gear has been selected, braking will be largely unnecessary.*

Use of engine for braking

Before descending steep slopes, stop the vehicle at least a length before the descent, select neutral in the main gearbox, engage LOW range and then select first or second gear depending on the severity of the incline.

While descending the slope it should be remembered that the engine will provide sufficient braking effort to control the rate of descent, and that the brakes should not be applied.

Accelerating

Use the accelerator with care - unless Traction control is fitted, any sudden surge of power may induce wheel spin and result in loss of control of the vehicle.

Steering



D098

WARNING

DO NOT hold the steering wheel with your thumbs inside the rim - a sudden 'kick' of the wheel as the vehicle negotiates a rut or boulder could seriously injure them. **ALWAYS** grip the wheel on the outside of the rim (as shown) when traversing uneven ground.

Survey the ground before driving

Before negotiating difficult terrain, it is wise to carry out a preliminary survey on foot. This will minimise the risk of your vehicle getting into difficulty through a previously unnoticed hazard.

Off-road driving

Ground clearance

Don't forget to allow for ground clearance beneath the chassis, axles, and under the front and rear bumpers. Note that the axle differentials are situated **BELOW** the chassis and are positioned slightly to the **RIGHT** of the centre of the vehicle. Note also that there are other parts of the vehicle which may come into contact with the ground; take care not to ground the vehicle.

Ground clearance is particularly important at the bottom of steep a slope, or where wheel ruts are unusually deep and where sudden changes in the slope of the ground are experienced.

On soft ground the axle differentials will clear their own path in all but the most difficult conditions. However, on frozen, rocky or hard ground, hard contact between the differentials and the ground will generally result in the vehicle coming to a sudden stop.

Always attempt to avoid obstacles that may foul the chassis or axle differentials.

Loss of traction

On vehicles not fitted with Traction control, if the vehicle is immobile due to loss of wheel grip, the following hints could be of value:

- Avoid prolonged wheel spin; this will make matters worse.
- Remove obstacles rather than forcing the vehicle across them.
- Clear clogged tyre treads.
- Reverse as far as possible, then attempt an increased speed approach - additional momentum may overcome the obstacle.
- Brushwood, sacking or any similar material placed in front of the tyres will improve tyre grip.

IMPORTANT INFORMATION

After driving off-road

Before rejoining the public highway, or driving at speeds above 40 km/h (25 mph), consideration should be given to the following:

- Wheels and tyres must be cleaned of mud and inspected for damage - ensure there are no lumps or bulges in the tyres or exposure of the ply or cord structure.
- Brake discs and calipers should be examined and any stones or grit that may affect braking efficiency removed.

Servicing requirements

Vehicles operating in arduous conditions, particularly on dusty, muddy, or wet terrain, and vehicles undergoing frequent or deep wading conditions will require more frequent servicing. See 'Owner maintenance' and contact a Land Rover dealer for advice.

In addition:

After wading in salt water or driving on sandy beaches, use a hose to thoroughly wash the underbody components and any exposed body panels with fresh water. This will help to protect the vehicle's cosmetic appearance.

DRIVING ON SOFT SURFACES & DRY SAND

The ideal technique for driving on soft ground and dry sand, requires the vehicle to be kept moving at all times - soft ground and sand causes excessive drag on the wheels, resulting in a rapid loss of motion once driving momentum is lost. For this reason, gear changing should be avoided.

- Engage the DIFF LOCK.
- Select the highest suitable gear and REMAIN in that gear until a firm surface is reached. It is generally advisable to use LOW range gears, as these will enable you to accelerate through worsening conditions without the risk of being unable to restart.
- Disengage the DIFF LOCK as soon as firm ground is reached.

Stopping the vehicle on soft ground, in sand or on an incline

If you do stop your vehicle, remember:

Starting on an incline or in soft ground or sand is almost impossible. Always park on a firm level area, or with the vehicle facing downhill.

On vehicles not fitted with Traction control, to avoid wheel spin, select second or third gear, and use the MINIMUM throttle necessary to get the vehicle moving.

If forward motion is lost, avoid excessive use of the throttle - on vehicles not fitted with Traction control, this will cause wheel spin and tend to dig the vehicle into the sand. Clear sand from around the tyres and ensure that the chassis and axles are not bearing on the sand before again attempting to move.

If the wheels have sunk, use an air bag lifting device or high lift jack to raise the vehicle, and then build up sand under the wheels so that the vehicle is again on level ground. If a restart is still not possible, place sand mats or ladders beneath the wheels.

Off-road driving

DRIVING ON SLIPPERY SURFACES

(ice, snow, mud, wet grass)

- With the DIFF LOCK engaged, select the highest gear possible.
- Drive away using the MINIMUM possible throttle opening.
- Drive slowly at all times, keeping braking to a minimum and avoiding violent movements of the steering wheel.
- Disengage the DIFF LOCK as soon as a non slippery surface is reached.

DRIVING ON ROUGH TRACKS

Although rough tracks can sometimes be negotiated in normal drive, it is advisable to lock the differential if excessive suspension movement is likely to induce wheel spin.

On very rough tracks, engage LOW range to enable a steady, low speed to be maintained without constant use of the brake and clutch pedals.

Always disengage the DIFF LOCK when smooth, firm ground is reached.

CLIMBING STEEP SLOPES

Engage the DIFF LOCK and ALWAYS follow the fall line of the slope - travelling diagonally could encourage the vehicle to slide broadside down the slope.

Steep climbs will usually require the LOW gear range. If the surface is loose or slippery, use sufficient speed in the highest practical gear to take advantage of the vehicle's momentum. However, too high a speed over a bumpy surface may result in a wheel lifting, causing vehicles not fitted with Traction control to lose traction. In this case try a slower approach. Traction can also be improved by easing off the accelerator just before loss of forward motion.

If the vehicle is unable to complete a climb, do not attempt to turn it around while on the slope. Instead, adopt the following procedure to reverse downhill to the foot of the slope:

1. Hold the vehicle stationary using both foot and hand brakes.
2. Restart the engine if necessary.
3. Engage reverse gear LOW range.
4. Release the handbrake. Then release the foot brake and clutch simultaneously, and allow the vehicle to reverse down the slope using engine braking to control the rate of descent.

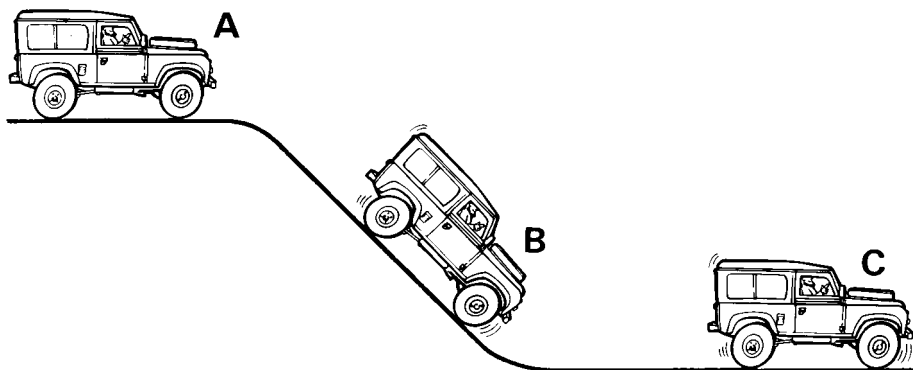
5. Unless it is necessary to stop the vehicle in order to negotiate obstructions, DO NOT apply the brake or clutch pedal during the descent.

6. If the vehicle begins to slide, accelerate slightly to allow the tyres to regain grip.

When the vehicle is back on level ground or where traction can be regained, a faster approach will probably enable the hill to be climbed. However, DO NOT take unnecessary risks, if the hill is too difficult to climb, find an alternative route.

WARNING

The engine must be restarted before reversing down the slope, as there will be no servo assistance to the brakes unless the engine is running.



ST293

DESCENDING STEEP SLOPES

- A. Stop the vehicle at least a vehicle length before the slope and engage first gear LOW range with the differential locked.
- B. Unless it is necessary to stop the vehicle in order to negotiate obstructions, **DO NOT** touch the brake or clutch pedals during the descent - the engine will limit the speed, keeping the vehicle under control provided the front wheels are turning. If the vehicle begins to slide, accelerate gently to maintain directional stability - **DO NOT** use the brakes or attempt to change gear.
- C. Once level ground is reached, unlock the differential and select a suitable gear for the next stage of your journey.

WARNING

Failure to follow these instructions may cause the vehicle to roll over.

Off-road driving

TRAVERSING A SLOPE

Before crossing a slope, ALWAYS observe the following precautions:

- Check that the ground is firm and not slippery.
- Check that the wheels on the downhill side of the vehicle are not likely to drop into any depressions in the ground and that the 'uphill' wheels will not run over rocks, tree roots, or similar obstacles that could suddenly increase the angle of tilt.
- Ensure that passenger weight is evenly distributed, that all roof rack luggage is removed and that all other luggage is properly secured and stowed as low as possible. Always remember; any sudden movement of the load could cause the vehicle to overturn.
- Rear seat passengers should sit on the uphill side of the vehicle or, in extreme conditions, should vacate the vehicle until the sloping ground has been safely negotiated.

NEGOTIATING A 'V' SHAPED GULLY

Observe extreme caution! Steering up either of the gully walls could cause the side of the vehicle to be trapped against the opposite gully wall.

DRIVING IN EXISTING WHEEL TRACKS

As far as possible allow the vehicle to steer itself along the bottom of the ruts. However, always keep a light hold of the steering wheel to prevent it from spinning free.

Particularly in wet conditions, if the steering wheel is allowed to spin free, the vehicle may appear to be driving straight ahead in the ruts, but in actual fact (due to the lack of traction caused by the wet ground) is unknowingly on full right or left lock. Then, when level ground is reached, or if a dry patch is encountered, the wheels will find traction and cause the vehicle to suddenly veer to left or right.

CROSSING A RIDGE

Approach at right angles so that both front wheels and then both rear wheels cross the ridge together - an angled approach could cause traction to be lost (if Traction control is not fitted) through diagonally opposite wheels lifting from the ground at the same time.

CROSSING A DITCH

With the DIFF LOCK engaged, cross ditches at an angle so that three wheels always maintain contact with the ground (if approached head on, both front wheels will drop into the ditch together, possibly resulting in the chassis and front bumper being trapped on opposite sides of the ditch).

WADING

WARNING

The maximum advisable wading depth is 0,5 metre (20 in.).

Severe electrical damage may occur if the vehicle remains stationary for any length of time when the water level is above the door sills.

If the water is likely to exceed 0,5 metre (20 in.) while the vehicle is moving, the following precautions MUST be observed:

- Fix a plastic sheet in front of the radiator grille to prevent water from soaking the engine and mud from blocking the radiator.
- Fit a drain plug to the flywheel housing and diesel engine timing cover - Tdi engines only (see 'Owner maintenance').
- Ensure that the silt bed beneath the water is firm enough to support the vehicle's weight and provide sufficient traction.
- Ensure that the engine air intake is clear of the water.
- To prevent saturation of the electrical system and air intake, avoid excessive engine speed.
- With the DIFF LOCK engaged, select a low gear and maintain sufficient throttle to prevent the engine from stalling. This is particularly important if the exhaust pipe is under water.
- Drive slowly into the water and accelerate to a speed which causes a bow wave to form; then maintain that speed.

At all times, keep all the doors fully closed.

After wading

- Drive the vehicle a short distance and apply the foot brake to check that the brakes are fully effective.
- DO NOT rely on the handbrake to hold the vehicle stationary until the transmission has thoroughly dried out; in the meantime, leave the vehicle parked in gear.
- Remove the timing cover drain plug (where fitted) and also any covering material from the front of the radiator grille.
- If the water was particularly muddy, remove any blockages (mud and leaves) from the radiator to reduce the risk of overheating.
- If deep water is regularly negotiated, check transmission oils for signs of water contamination - contaminated oil can be identified through its 'milky' appearance. In addition, check the air filter element for water ingress, and replace if wet.
- Vehicles required to undergo frequent or deep wading conditions will require more frequent servicing. See 'Owner maintenance' and contact a Land Rover dealer for advice.
- If salt water is frequently negotiated, thoroughly wash the underbody components and exposed body panels, with fresh water.

Index

A	
ABS	66
Access code	16
Accessories	171
After sales service	172
Air cleaner element renewal	137
Air conditioning	42
Air filter	137
Air recirculation	44
Air vents	39
Alarm	13
Anti-freeze	92 & 158
Anti-lock brakes	66
Anti-theft alarm	13
Anti-theft alarm indicator light	14
Anti-theft precautions	4
Ashtray	44
Axle oil renewal	152
Axle weights	164
B	
Battery	101
Battery charging	103
Battery disconnection	20
Blower control	40
Bonnet opening	84
Booster cables	72
Brake fluid check	96
Brake fluid specification	158
Brake pad/disc check	153
Brake pads	64
Brakes	64
Braking system	64
Breakdown safety	5
Bulb replacement	116
C	
Capacities	159
Care products	122
Child restraints	26
Child-proof locks	12
Chocking a wheel	105
Cigar lighter	44
Cleaning	121
Clock	28
Clutch	59
Clutch fluid specification	158
Clutch fluid top-up	95
Cold start control	50
Controls	9
Cooling system top-up	91
Crossing a ditch	183
Crossing a ridge	183
D	
Defrosting	41 & 43
Demisting	41 & 43
Descending steep slopes	182
Diesel fuel filter	94
Diesel fuel sedimenter	94
Differential lock	62
Dimensions	162
Distributor	141
Drive belts	142
Driving	52
Driving on rough tracks	180
Driving on slippery surfaces	180
Driving on soft surfaces & dry sand	179
Dynamometers ('rolling roads')	82
E	
Electrical equipment	171
Electrical system	161
Emergency starting	72
Emergency towing	73
Emission control system	52
Engine	160
Engine compartment	86
Engine data	160
Engine immobilisation	15
Engine oil	89
Engine oil (renewal)	132
Engine oil (used)	83
Engine oil filter renewal	133
Engine oil top-up	89
Engine undertray	129

Index

F	
Fan control	40
Fluid specifications	157
Fog lights	36
Fuel	55
Fuel consumption	167
Fuel economy	53
Fuel filling	56
Fuel filter	94
Fuel filter renewal	134
Fuel gauge	28
Fuel safety	56
Fuel sedimenter	94
Fuel sedimenter cleaning	136
Fuel tank capacity	159
Fuses	113
G	
Gearbox	59
Gearbox oil change	150
Ground clearance	177
H	
Handbrake	65
Handbrake check	154
Handset	13 & 18
Handset battery	18
Handset resynchronisation	18
Hand throttle	78
Hazard warning lights	36
Headlight adjuster	33
Headlight levelling	33
Headlights	32
Heated rear window	36
Heater	39
Height (of vehicle)	54
High range gears	60
High tension leads	140
Horn	32
HT leads	140
I	
Ignition	47
Indicators	32
Instruments	28
Interior lights	44
Interior protection	15
Interior trim	122
J	
Jack ('bottle' type)	107
Jack ('pillar' type)	108
Jack (wheel changing)	107
Jacking	105
Jacking points	108
Jump starting	72
K	
Key access code	16
Keys	11
L	
Light switches	32
Lights	32
Load carrying	69
Locking wheel nuts	111
Locks	11
Low range gears	60
Lubricant specifications	157
M	
Main gearbox oil renewal	150
Maintenance	3 & 81
O	
Off-road driving	175
Off-road performance	163
Oil	83
Oil change	132
Oil filter renewal	133
Owner maintenance	81
P	
Park brake check	154
Parts & accessories	171
Poisonous liquids	83
Power steering	54
Power steering top-up	97
Power take-off drives	77
Propeller shaft lubrication	154

Index

R		
Radiator blind	55	
Rear fog guard lights	36	
Rear seats	22	
Rear window heater	36	
Rear window wash/wipe	35	
Replacement bulbs	161	
Rolling roads (dynamometers)	82	
Roof rack	71	
Running-in	52	
S		
Safety in the garage	83 & 127	
Safety on the forecourt	56	
Seat belt safety	24	
Seat belts	24	
Seats	21	
Security	4	
Security information card	16	
Sedimenter	94	
Sedimenter cleaning - diesel	136	
Service portfolio book	3 & 81	
Service voucher	3	
Sidelights	32	
Snow chains	99	
Spare wheel	105	
Spare wheel (removing)	106	
Spark plug renewal	140	
Speedometer	28	
Starter switch	47	
Starting	48	
Starting with a discharged battery	72	
Steam cleaning	121	
Steep slopes	181	
Steering	161	
Steering lock	47	
Sunroof	38	
Switches	36	
Switching off	51	
T		
Taildoor	12	
Temperature gauge	28	
Total distance recorder	28	
Towing	69	
Towing for recovery	73	
Towing weights	70 & 164	
Traction control	68	
Trailer socket	71	
Transfer gearbox	60	
Transfer gearbox oil renewal	151	
Transmission	59	
Transmission 'wind-up'	63	
Transporter or trailer lashing	75	
Travelling abroad	172	
Traversing a slope	183	
Trip recorder	28	
Trip recorder reset button	28	
Tyre sizes and pressures	168	
Tyre wear	98	
Tyres	98	
V		
Vehicle care	121	
Vehicle height	54	
Vehicle identification number	4	
Vehicle recovery	74	
Vehicle weights	164	
Ventilation	39	
VIN	4	
W		
Wading	184	
Wading plugs	112	
Warning labels	3	
Warning lights	29	
Warnings	3 & 29	
Warranty information	3	
Washer	34	
Washer jet adjustment	100	
Washing your vehicle	121	
Weights	164	
Wheel changing	105	
Wheel chocks	105	
Wheels	99	
Wheels & tyres	168	
Winching	76	
Windows	37	

Index

Windscreen washer	34
Windscreen washer top-up	92
Windscreen wipers	34
Wiper blade replacement	100
Wipers	34
Workshop maintenance	125